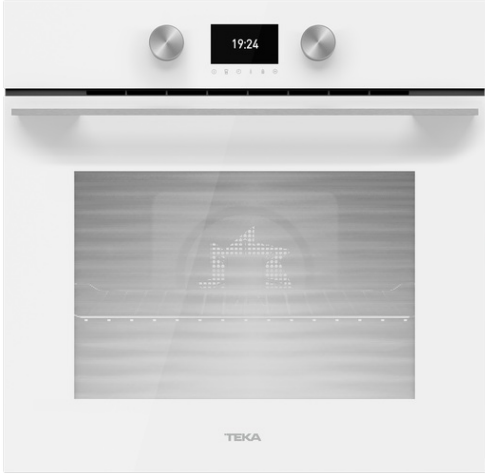




**HLB 8600 WH E01** A+ Multifunction-Surround Temp. oven with 20 recipes, Soft Close



70L



Plus Extension  
Telescopic  
Guide



HydroClean



SoftClose



SurroundTemp

**DESCRIPTION**

A+ Multifunction-Surround Temp. oven with 20 recipes, Soft Close

**LIFE STYLE**

Maestro

**COLOURS**

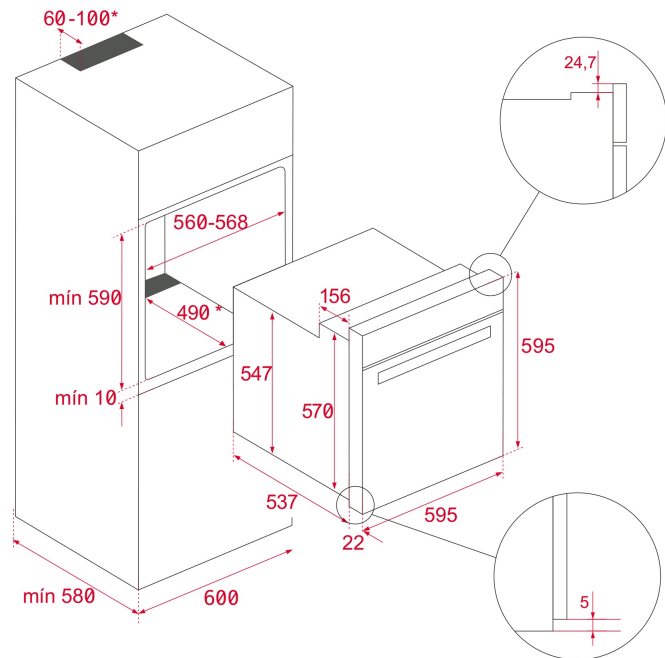


**REFERENCE**

REF. 111000012  
EAN. 8434778008289

**FEATURES**

Urban Colors Edition  
Multifunction SurroundTemp - 12 Cooking functions  
Teka HydroClean®PRO cleaning system  
A+ Energy class: up to 20% less consumption  
Capacity, gross/net: 71/70 litres  
True colour TFT 4 display with digital timer  
Personal cooking assistant (20 recipes)  
SlowCook function: low temperature cooking  
Automatic temperature and time suggestion for each function  
Quick heating  
Children safety block  
Automatic disconnection security system  
Triple glazed door  
SoftClose system  
1 Plus-Extension telescopic guide, 5 cooking levels  
Deep enamelled tray and reinforced grid  
Tangential ventilation



## DIMENSIONS

**Product height (mm):** 595

**Product width (mm):** 595

**Product depth (mm):** 537+22

**Product length (mm):**

**Net weight (Kg):** 32

## TECH SPECS

### PARTICULAR CHARACTERISTICS

**Certificates:** N / CE / CCA / CB/GMARK/ JAS-ANZ/SASO

**Number of cavities:** 1

**Type of inner light:** Halogen

**Inside light position:** RIGHT TOP CORNER

**Enamelled cavity:** Yes

**Function selector:** ELECTRONIC

**Number of cooking functions:** 12

**Number of recipes:** 20

**Grill function:** Yes

**MaxiGrill function:** Yes

**Bottom function:** Yes

**Turbo function:** Yes

**ECO function:** Yes

**Ferment function:** Yes

**Automatic quick heating:** Yes

**Slow Cook:** Yes

**Knobs type:** MMX FIX ROTATIVE

**Removable chromed tray guides:** Yes

**Number of guide levels:** 5

**Easy slide telescopic guides:** Yes

**Drop-down grill:** Yes

**Forced refrigeration tangential 1 speed:** Yes

**SoftClose:** Yes

## **ELECTRIC CONNECTION**

**Maximum Nominal Power (W):** 3215

**Frequency (Hz):** 50/60

**Power rate (V):** 220-240

**Cable Connection Length (cm):** 150

**Plug:** Yes

**Inside light Consumption (W):** 25

## **ENERGY CONSUMPTION**

**Energy consumption per cycle in conventional mode (kWh):**  
0.83

**Energy consumption per cycle in fan-forced convection mode (kWh):** 0,68

**Bottom Heating Element (W):** 1150

**Grill (W):** 1400

**Maxi Grill (W):** 2500

**Traditional (W):** 2550

**Turbo (W):** 2000

**Multifunction Turbo (W):** 22

**Cooling Fan Motor (W):** 18

## **SECURITY SYSTEM**

**Automatic disconnection when opening the door:** Yes

**Panel blocking system:** Yes

**Children safety block option:** Yes

**Grill protection:** Yes

**Anti-tip tray system:** Yes

**Safety Thermostat:** Yes

## **CLEANING SYSTEM**

**Crystal Clean Enamel (Slippery):** Yes

**Hydroclean PRO:** Yes

## **ACCESSORIES**

**Deep Tray (50 mm):** 1

**Steak tray:** 0

**Reinforced grid:** 1

## **ENERGY EFFICIENCY**

**Energy Efficiency Class:** A+

**Energy Efficiency Index (EEI):** 81

## **PRODUCT INFORMATION SHEET - DELEGATED REGULATION (EU) 65/2014**

**Supplier name or trademark:** TEKA

**Model identifier:** HLB 8600 WH E01

**Number of cavities:** 1

**Cavity 1**

**Energy Efficiency Index:** 81

**Energy Efficiency Class:** A+

**Energy consumption per cycle (conventional mode):** 0.83

**Energy consumption per cycle (fan-forced convection mode):**  
0,68

**Heat source :** Electric

**Volume:** 71

