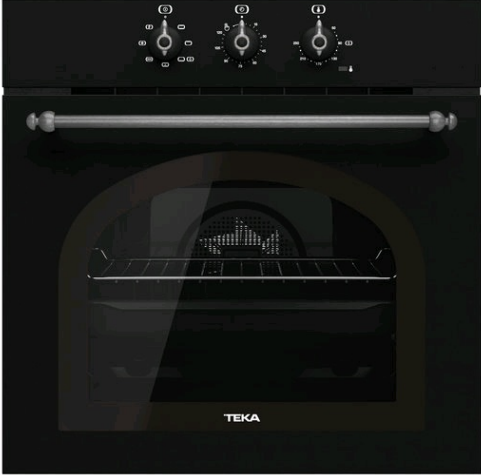




HRB 6100 ATS 60 cm Country Style Edition SurroundTemp Multifunction Oven



70L



Plus Extension
Telescopic
Guide



HydroClean

DESCRIPTION

60 cm Country Style Edition SurroundTemp Multifunction Oven

LIFE STYLE

Total

COLOURS



REFERENCE

REF. 111010007
EAN. 8434778008586

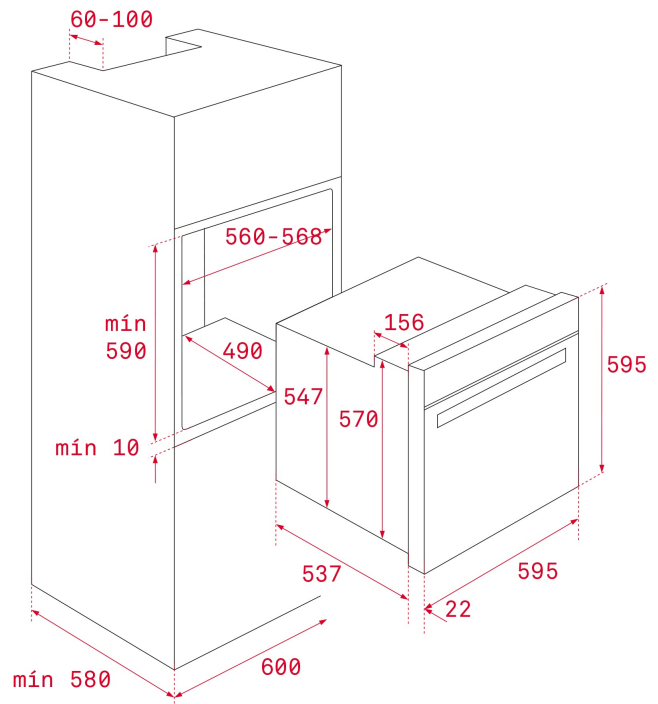


TEKA

HRB 6100 ATS

FEATURES

Country Style Edition
Multifunction oven
6 Cooking functions
HydroClean system
Mechanical control knobs
Minute minder
Chrome supports with 5 cooking levels
1 Plus Extension telescopic guide
Double glazed door
Mechanical quick preheating
Anti-tip deep tray
Dynamic ventilation
Gross/net capacity: 71/70 litres



DIMENSIONS

Product height (mm): 595

Product width (mm): 595

Product depth (mm): 537+22

Product length (mm):

Net weight (Kg): 27

TECH SPECS

PARTICULAR CHARACTERISTICS

Certificates: N / CE / CCA / CB/ EAC

Number of cavities: 1

Type of inner light: Halogen

Inside light position: RIGHT TOP CORNER

Enamelled cavity: Yes

Function selector: 7+0

Number of cooking functions: 6

Number of memories: 1

Grill function: Yes

Bottom function: Yes

ECO function: Yes

Mechanical quick heating: Yes

Minute Minder: Yes

Knobs type: Old Silver

Removable chromed tray guides: Yes

Number of guide levels: 5

Easy slide telescopic guides: Yes

ELECTRIC CONNECTION

Maximum Nominal Power (W): 2615

Frequency (Hz): 50/60

ENERGY CONSUMPTION

Power rate (V): 220-240
Cable Connection Length (cm): 110
Inside light Consumption (W): 25

Energy consumption per cycle in conventional mode (kWh):
0.82

Energy consumption per cycle in fan-forced convection mode (kWh): 0,71

Bottom Heating Element (W): 1150

Grill (W): 1400

Traditional (W): 2550

Multifunction Turbo (W): 22

Cooling Fan Motor (W): 18

SECURITY SYSTEM

Grill protection: Yes

Anti-tip tray system: Yes

Safety Thermostat: Yes

CLEANING SYSTEM

Crystal Clean Enamel (Slippery): Yes

Hydroclean ECO: Yes

ACCESSORIES

Deep Tray (50 mm): 1

Standard grid: 1

ENERGY EFFICIENCY

Energy Efficiency Class: A

Energy Efficiency Index (EEI): 84,7

PRODUCT INFORMATION SHEET - DELEGATED REGULATION (EU) 65/2014

Supplier name or trademark: TEKA

Model identifier: HRB 6100

Number of cavities: 1

Cavity 1

Energy Efficiency Index: 84,7

Energy Efficiency Class: A

Energy consumption per cycle (conventional mode): 0.82

Energy consumption per cycle (fan-forced convection mode):
0,71

Heat source : Electric

Volume: 71



HRB 6100 ATS

ENERGY LABEL

The energy label for the TEKA HRB 6100 ATS is a vertical rectangular sticker with a blue border. At the top left is the European Union flag. To its right, the word "ENERG" is written in large letters, with "енергия" and "енергiя" below it. Further right are four small circles containing the letters "Y", "UA", "IE", and "IA". Below this header, the TEKA logo is on the left and the model number "HRB 6100" is on the right. A central graphic shows a vertical scale of energy efficiency classes from A+++ (green) at the top to D (red) at the bottom. A black arrow points to the "A" class. Below the scale, there are two boxes: the left one shows a washing machine icon and "70 L", and the right one shows a dryer icon and "0.71 kWh/cycle*". Above the dryer icon is another box with a dryer icon and "0.82 kWh/cycle*". At the bottom, there is a line of small text in multiple languages and the date "65/2014".