



# HRB 6300 ATS 60 cm Country Style Edition SurroundTemp Multifunction Oven



70L



Plus Extension  
Telescopic  
Guide



HydroClean



SurroundTemp

### DESCRIPTION

60 cm Country Style Edition SurroundTemp Multifunction Oven

### LIFE STYLE

Total

### COLOURS



### REFERENCE

REF. 111010011  
EAN. 8434778008623

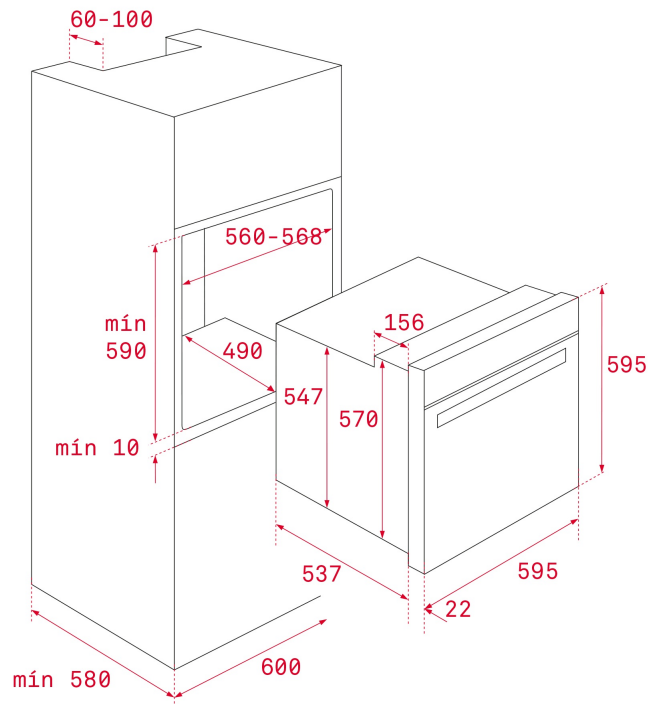


**TEKA**

**HRB 6300 ATS**

**FEATURES**

Country Style Edition  
Multifunction SurroundTemp  
9 Cooking functions  
Automatic HydroClean system  
Mechanical control knobs  
Minute minder  
Chrome supports with 5 cooking levels  
1 Plus Extension telescopic guide  
Double glazed door  
Mechanical quick preheating  
Anti-tip deep tray and anti-tip baking tray  
Dynamic ventilation  
Gross/net capacity: 71/70 litres



## DIMENSIONS

**Product height (mm):** 595

**Product width (mm):** 595

**Product depth (mm):** 537+22

**Product length (mm):**

**Net weight (Kg):** 27

## TECH SPECS

### PARTICULAR CHARACTERISTICS

**Certificates:** N / CE / CCA / CB

**Number of cavities:** 1

**Type of inner light:** Halogen

**Inside light position:** RIGHT TOP CORNER

**Enamelled cavity:** Yes

**Function selector:** 11+0

**Number of cooking functions:** 9

**Number of memories:** 2

**Grill function:** Yes

**MaxiGrill function:** Yes

**Bottom function:** Yes

**Turbo function:** Yes

**ECO function:** Yes

**Mechanical quick heating:** Yes

**Minute Minder:** Yes

**Knobs type:** Old Silver

**Removable chromed tray guides:** Yes

**Number of guide levels:** 5

**Easy slide telescopic guides:** Yes

**Maximum Nominal Power (W):** 3215

**Frequency (Hz):** 50/60

**Power rate (V):** 220-240

**Cable Connection Length (cm):** 150

**Plug:** Yes

**Inside light Consumption (W):** 25

## ENERGY CONSUMPTION

**Energy consumption per cycle in conventional mode (kWh):**  
0.82

**Energy consumption per cycle in fan-forced convection mode (kWh):** 0,76

**Bottom Heating Element (W):** 1150

**Grill (W):** 1400

**Maxi Grill (W):** 2500

**Traditional (W):** 2550

**Turbo (W):** 2000

**Multifunction Turbo (W):** 22

**Cooling Fan Motor (W):** 18

## SECURITY SYSTEM

**Grill protection:** Yes

**Anti-tip tray system:** Yes

**Safety Thermostat:** Yes

## CLEANING SYSTEM

**Crystal Clean Enamel (Slippery):** Yes

**Hydroclean PRO:** Yes

## ACCESSORIES

**Baking Tray:** 1

**Deep Tray (50 mm):** 1

**Standard grid:** 1

## ENERGY EFFICIENCY

**Energy Efficiency Class:** A

**Energy Efficiency Index (EEI):** 81

## PRODUCT INFORMATION SHEET - DELEGATED REGULATION (EU) 65/2014

**Supplier name or trademark:** TEKA

**Model identifier:** HRB 6300

**Number of cavities:** 1

**Cavity 1**

**Energy Efficiency Index:** 81

**Energy Efficiency Class:** A

**Energy consumption per cycle (conventional mode):** 0.82

**Energy consumption per cycle (fan-forced convection mode):**

0,76

**Heat source :** Electric

**Volume:** 71



HRB 6300 ATS

ENERGY LABEL

TEKA HRB 6300

A+++  
A++  
A+ **A**  
A  
B  
C  
D

70 L

0.82 kWh/cycle\*  
0.76 kWh/cycle\*

\* Unesni - cyklus - porton - zylak - prapracovna - dno - tiskle - chfime - cikla - cikla - cikla - cikla - cyklus - cykli - dno - program - cykli

65/2014