



HRB 6400 AT 60 cm Country Style Edition SurroundTemp Multifunction Oven



70L



Plus Extension
Telescopic
Guide



HydroClean



SurroundTemp

DESCRIPTION

60 cm Country Style Edition SurroundTemp Multifunction Oven

LIFE STYLE

Total

COLOURS



REFERENCE

REF. 111010014
EAN. 8434778008654

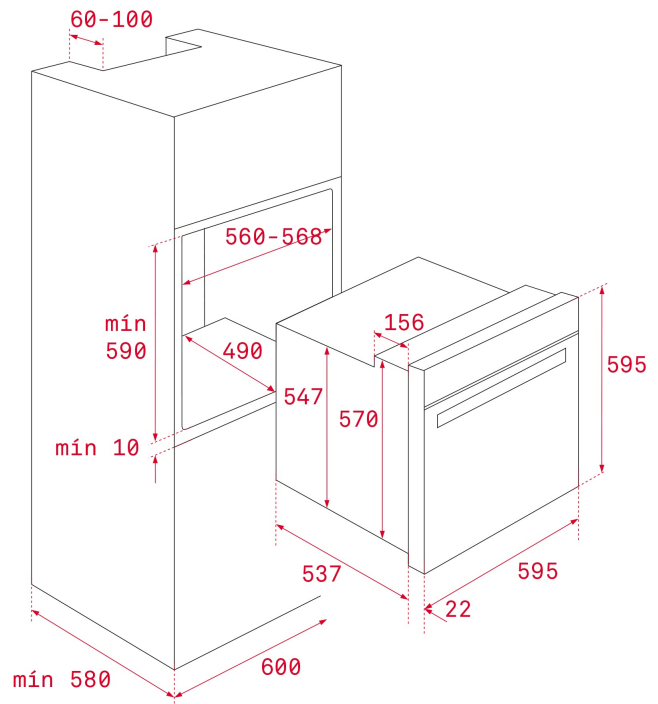


TEKA

HRB 6400 AT

FEATURES

Country Style Edition
Multifunction SurroundTemp
9 Cooking functions
Automatic HydroClean system
Touch control display
Digital Timer
Chrome supports with 5 cooking levels
1 Plus Extension telescopic guide
Double glazed door
Mechanical quick preheating
Anti-tip deep tray and anti-tip baking tray
Dynamic ventilation
Gross/net capacity: 71/70 litres



DIMENSIONS

Product height (mm): 595

Product width (mm): 595

Product depth (mm): 537+22

Product length (mm):

Net weight (Kg): 27

TECH SPECS

PARTICULAR CHARACTERISTICS

Certificates: N / CE / CCA / CB

Number of cavities: 1

Type of inner light: Halogen

Inside light position: RIGHT TOP CORNER

Enamelled cavity: Yes

Function selector: 11+0

Number of cooking functions: 9

Number of memories: 2

Grill function: Yes

MaxiGrill function: Yes

Bottom function: Yes

Turbo function: Yes

ECO function: Yes

Mechanical quick heating: Yes

Touch Control Programmer: Yes

Knobs type: Old Brass

Removable chromed tray guides: Yes

Number of guide levels: 5

Easy slide telescopic guides: Yes

ELECTRIC CONNECTION

Maximum Nominal Power (W): 3215
Frequency (Hz): 50/60
Power rate (V): 220-240
Cable Connection Length (cm): 150
Plug: Yes
Inside light Consumption (W): 25

ENERGY CONSUMPTION

Energy consumption per cycle in conventional mode (kWh):
0.81
Energy consumption per cycle in fan-forced convection mode (kWh): 0,68
Bottom Heating Element (W): 1150
Grill (W): 1400
Maxi Grill (W): 2500
Traditional (W): 2550
Turbo (W): 2000
Multifunction Turbo (W): 22
Cooling Fan Motor (W): 18

SECURITY SYSTEM

Panel blocking system: Yes
Grill protection: Yes
Anti-tip tray system: Yes
Safety Thermostat: Yes

CLEANING SYSTEM

Crystal Clean Enamel (Slippery): Yes
Hydroclean PRO: Yes

ACCESSORIES

Baking Tray: 1
Deep Tray (50 mm): 1
Standard grid: 1

ENERGY EFFICIENCY

Energy Efficiency Class: A+
Energy Efficiency Index (EEI): 81

PRODUCT INFORMATION SHEET - DELEGATED REGULATION (EU) 65/2014

Supplier name or trademark: TEKA
Model identifier: HRB 6400
Number of cavities: 1

Cavity 1

Energy Efficiency Index: 81
Energy Efficiency Class: A+
Energy consumption per cycle (conventional mode): 0.81
Energy consumption per cycle (fan-forced convection mode):
0,68
Heat source : Electric
Volume: 71



HRB 6400 AT

ENERGY LABEL

The energy label for the TEKA HRB 6400 AT is a vertical rectangular sticker with a blue border. At the top left is the European Union flag. To its right is the word "ENERG" in large blue letters, with "енергия - енергетика" in smaller text below it. Further right are four circular icons: a 'Y' in a circle, 'IE' in a circle, 'IA' in a circle, and 'UA' in a circle. Below this header, the brand name "TEKA" and model "HRB 6400" are printed. A small icon of a washing machine is shown with a power cord. The central part of the label features a vertical scale of energy efficiency classes from A+++ (top, green) to D (bottom, red). A black arrow points to the A+ class. Below the scale, there are two boxes: the first shows a washing machine icon and "70 L"; the second shows a washing machine icon and "0.81 kWh/cycle*". Below these, another box shows a washing machine icon and "0.68 kWh/cycle*". At the very bottom, there is a line of small text in multiple languages: "* уақыттың циклы - portion - yıkilias - программа - ciclo - tsikkeli - ohjelma - ciklus - ciklus - ciklu - ciklus - cykl - ciclo - program - cykles" and the date "65/2014".