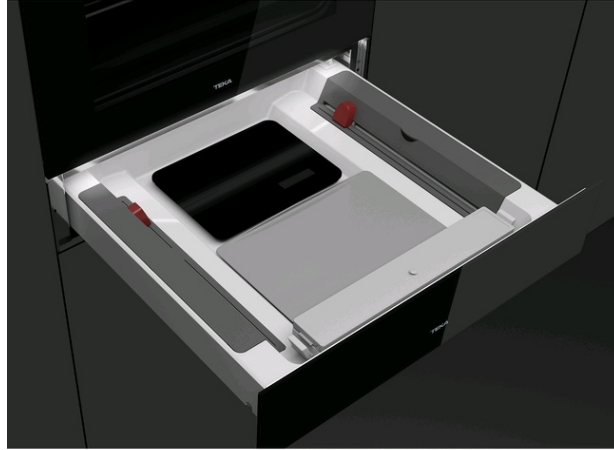




VS 1520 GS Vacuum sealing machine with kitchen scale and soft-close



DESCRIPTION

Vacuum sealing machine with kitchen scale and soft-close

LIFE STYLE

Maestro

COLOURS

REFERENCE

REF. 111600004
EAN. 8434778008913



TEKA

VS 1520 GS

FEATURES

Vacuum sealing machine

Storage for accessories

Kitchen scale

Protecting cover for kitchen scale

Roll holder for aluminum foil

Roll holder for cling film

Soft-close

Self-closing

Frontal glass not included. 4 options available:

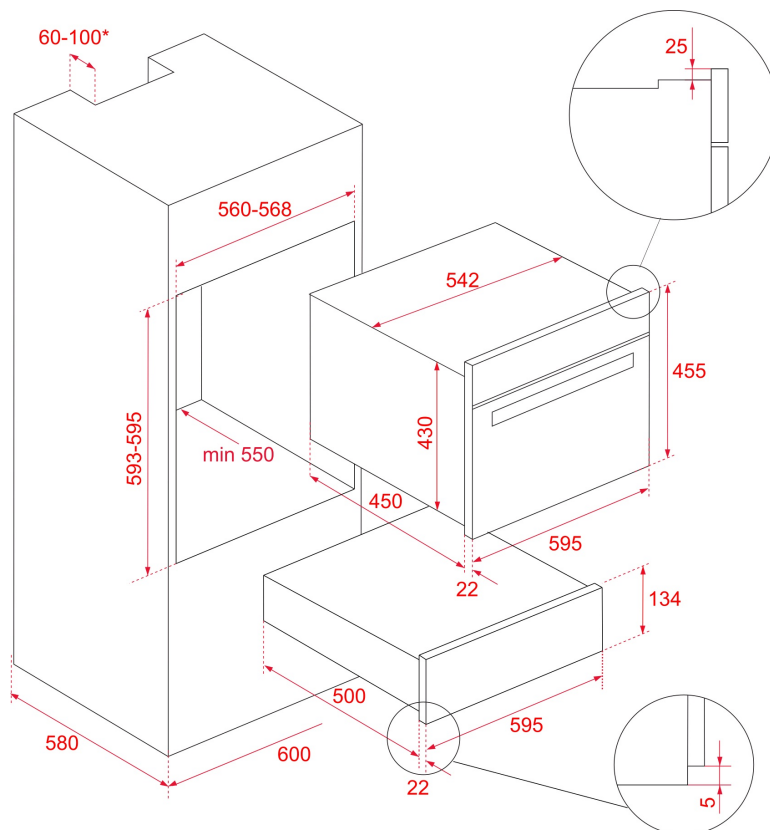
111890002 -Night River Black

111890003 - White Marble

111890004 - Stone Grey

111890005 - Steam Grey

111890006 - London Brick Brown



DIMENSIONS

Product height (mm): 250

Product width (mm): 645

Product depth (mm): 670

Product length (mm):

Net weight (Kg):

TECH SPECS

PARTICULAR CHARACTERISTICS

Certificates: CE

Number of cavities: 2

Number of guide levels: 0

Number of guide levels (lower cavity): 0

Door handle: Push-pull

ELECTRIC CONNECTION

Maximum Nominal Power (W): 115

Frequency (Hz): 50

Power rate (V): 220-240

Cable Connection Length (cm): 110

Plug type: Schuko

PRODUCT INFORMATION SHEET - DELEGATED REGULATION (EU) 65/2014

Supplier name or trademark: TEKA

Model identifier: VS 1520 GS

Number of cavities: 2

Cavity 1

