



# DLV 985 90cm Vertical Hood with Countour Rim system extraction



LED



Perimeter extraction



Stop Delay Timer

**DESCRIPTION**

90cm Vertical Hood with Countour Rim system extraction

**LIFE STYLE**

Maestro

**COLOURS**



**REFERENCE**

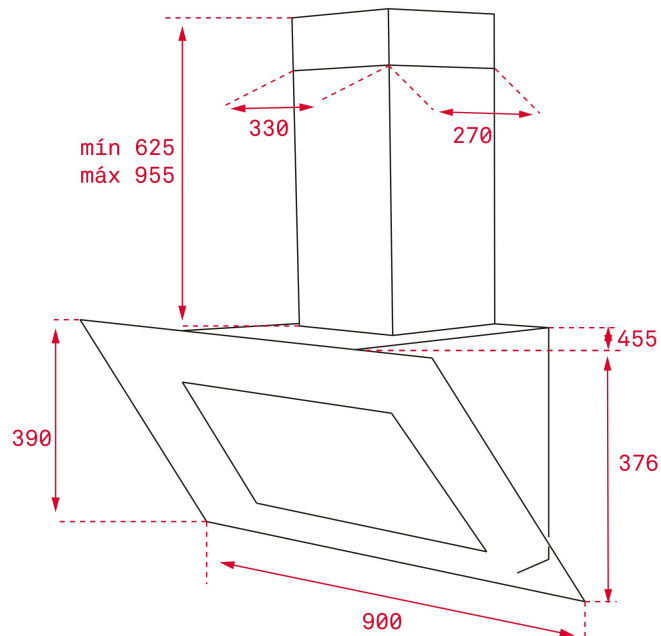
REF. 112930005  
EAN. 8434778009149

**FEATURES**

Urban Colors Edition  
Quadro vertical hood  
Extraction rim system "Contour"  
Digital control Touch Control with white display  
3 speeds + Intensive  
Stop delay timer  
LED light bar  
Saturation filters lighting indicator  
Double turbine motor ECOPOWER  
Exhaust capacity (\*): min.325 m<sup>3</sup>/h - max.782 m<sup>3</sup>/h  
Sound level (\*): min.54 dBA - máx.65 dBA  
Recirculation function optional (SET D10CTP)

## DIMENSIONS

**Product height (mm):** 800-1200  
**Product width (mm):** 900  
**Product depth (mm):** 450  
**Product length (mm):**  
**Net weight (Kg):** 20,27



## TECH SPECS

### PARTICULAR CHARACTERISTICS

**Certificates:** CE; CB; Rohs  
**Ø Outlet (mm):** 150  
**Type of inner light:** LED  
**Inside light Consumption (W):** 7  
**Plug type:** Schuko plug  
**Power rate (V):** 230  
**Frequency (Hz):** 50  
**Total hood power (W):** 287  
**Number of motors:** 1  
**Motor power (W):** 280

**EU REGULATION NO. 65/2014 &66/2104**

**Annual energy consumption AEC kWh/annum (kWh):** 55,5  
**Energy Efficiency Class:** A  
**Fluid Dynamic Efficiency (FDEhood):** 34,5  
**Fluid Dynamic Efficiency class:** A  
**Light Efficiency (Lehood) lux/Watt:** 41,7  
**Lighting Efficiency class:** A  
**Grease Filtering Efficiency class:** G  
**Air flow (Qmin) m3/h:** 325  
**Air flow (Qmax):** 614

**Air flow (Qboost):** 782  
**Noise (LwA) Min Speed (dB):** 54  
**Noise (LwA) Max Speed (dB):** 65  
**Noise (LwA) boost speed (dB):** 72  
**Off mode Power (Po) W:** 0,32  
**Energy Efficiency Index (EEI):** 50,5  
**Time increase factor:** 0,8  
**Air pressure at best efficiency point(Pbep) Pa:** 452  
**Electric power input at best efficiency point (Wbep) W:** 160,0  
**Nominal power of the lighting system (WL) W:** 12  
**Average illumination of the lighting system on the cooking surface (Emiddle) Lux:** 500

## ACCESSORIES

**Anti Return valve:** Yes  
**Outlet reduction:** Yes  
**Optional Charcoal Filter:** D4C  
**Charcoal filter description:** CHARCOAL FILTER D4C

## MODELS

**Number of filters:** 1  
**Filter description:** Glass panel; aluminum filter below  
**Control panel:** Touch control white display  
**Stop delay timer:** Yes  
**Filter saturation indicator:** Yes  
**Time clock:** Yes  
**Number of speeds:** 3+1

## PRODUCT INFORMATION SHEET - DELEGATED REGULATION (EU) 65/2014

**Supplier name or trademark:** TEKA  
**Model identifier:** DLV 985  
**Annual Energy Consumption:** 55,5  
**Energy Efficiency Class:** A  
**Fluid Dynamic Efficiency:** 34,5  
**Fluid Dynamic Efficiency class:** A  
**Lighting Efficiency:** 41,7  
**Lighting Efficiency class:** A  
**Grease Filtering Efficiency class:** G  
**Air flow (min speed normal use):** 325  
**Air flow (max speed normal use):** 614  
**Air flow (intensive or boost use):** 782  
**Airborne acoustical A-weighted sound power emissions (min speed normal use):** 54  
**Airborne acoustical A-weighted sound power emissions (max speed normal use):** 68  
**Airborne acoustical A-weighted sound power emissions (intensive or boost use):** 72  
**Power consumption in off mode (W):** 0,32  
**Power consumption in standby mode (W):** n.a



DLV 985

ENERGY LABEL

