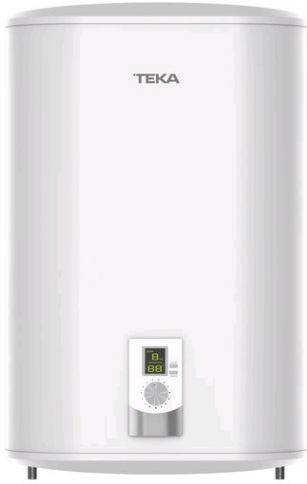




# EWH 50 D SLIM Slim Water heater with double installation system and 50L capacity



Dry Heating Protection



ELCB Earth Leakage Circuit Breaker



Humidity Control



Overheating Protection



Slim heater



Type of Installation

### DESCRIPTION

Slim Water heater with double installation system and 50L capacity

### LIFE STYLE

Maestro

### COLOURS



### REFERENCE

REF. 42080060  
EAN. 8421152156834



**TEKA**

## **EWH 50 D SLIM**

### **FEATURES**

Vertical and horizontal installation  
Capacity: 80 litres  
Sapphire enamelled tank  
Sapphire heating element  
Regulation of temperature: 30-75 °C  
Pressure valve > 5 bar  
Max. Input temperature: 0,75Mpa  
Thermometer  
Anti Over-pressure protection  
Earth leakage circuit breaker ELCB  
Overheat protection  
Anti Dry-heating Protection  
Waterproof Grade: IPX4  
Rated power output 1500 W  
Thickness of insulation: 20mm  
Water connection: G½  
Average number of users: 2-4

**TEKA**

**EWH 50 D SLIM**

## DIMENSIONS

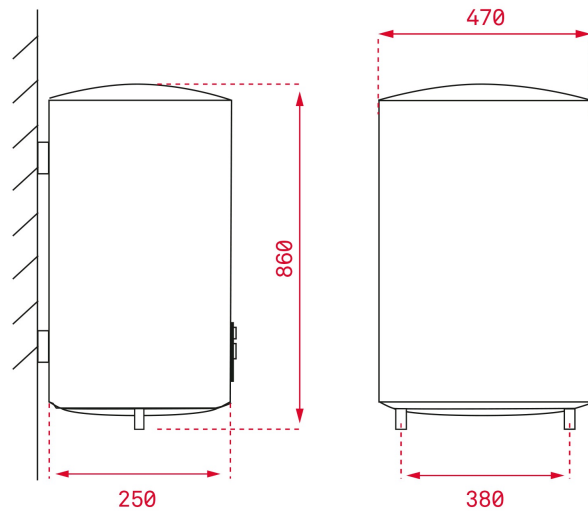
Product height (mm): 860

Product width (mm): 470

Product depth (mm): 250

Product length (mm):

Net weight (Kg): 25,81



## TECH SPECS

### ELECTRIC CONNECTION

Frequency (Hz): 50

Power rate (V): 220

Plug type: EU

### MODELS

Control panel: ELECTRONIC



**EWH 50 D SLIM**

**ENERGY LABEL**

