



**LP9 440 EU** Free Standing Dishwasher for 10 place settings and 8 washing programs in 45cm



Eco Function



Extra Dry function



Water dirtiness sensor  
Aqualogic

**DESCRIPTION**

Free Standing Dishwasher for 10 place settings and 8 washing programs in 45cm

**LIFE STYLE**

Maestro

**COLOURS**



**REFERENCE**

REF. 40782343  
EAN. 8421152153796



**TEKA**

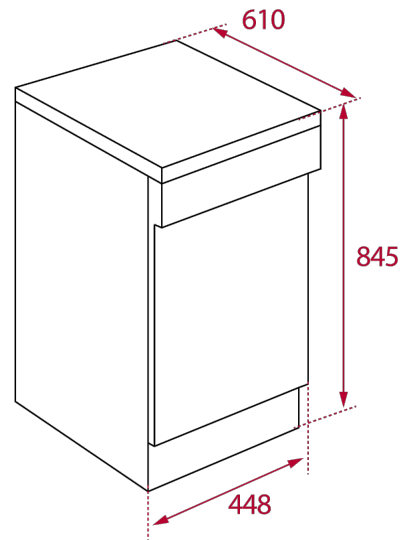
**LP9 440 EU**

**FEATURES**

Free Standing dishwasher  
Capacity: 10 place settings  
Eight washing programs  
Five wash temperatures (40° / 45° / 55° / 62° / 65°)  
Aqualogic system  
Half load  
Quick program 30 '  
ECO Program  
Delay timer 1-24 hours  
Upper basket adjustable in height (push up)  
Security system AQUASTOP  
Maximum noise: 47 dBA

## DIMENSIONS

**Product height (mm):** 845  
**Product width (mm):** 448  
**Product depth (mm):** 610  
**Product length (mm):**  
**Net weight (Kg):** 34,5



## TECH SPECS

### PRODUCT SHEET

**Capacity (Place Settings):** 10  
**Energy consumption (kWh/year):** 211  
**Power consumption (Kwh):** 0,74  
**Water consumption (litres/year):** 2240  
**Water consumption (litres):** 8  
**Standard program:** ECO  
**Standard cycle duration (minutes):** 195  
**Noise level (dB):** 47  
**Certificates:** GS;CE;EMC;Rohs

### POWER SUPPLY

**Frequency (Hz):** 50  
**Power rate (V):** 220-240  
**Power rate (W):** 1760-2100  
**Plug type:** EU  
**Maximum Nominal Power (W):** 2100

### PARTICULAR CHARACTERISITICS

**Type of installation:** Free standing  
**Control panel:** Electronic buttons  
**Control panel display:** Yes  
**Number of programs:** 8  
**Number Of Washing Temperatures:** 5  
**Aqua-Logic:** Yes

**SECURITY SYSTEM**

**CONTROL INDICATOR LIGHTS**

**SPECIAL FUNCTIONS**

**EQUIPMENT**

**PRODUCT INFORMATION SHEET (UE) 2019/2014**

**Water softener:** Yes

**Microfilter:** Yes

**Internal Leakage Control:** Yes

**Low Salt Aid indicator:** Yes

**Low Rinse Aid indicator:** Yes

**Selected program indicator:** Yes

**Remaining time:** Yes

**Fast program:** Yes

**Fast program (minutes):** 30

**Economic program:** Yes

**Alternative wash (Zone Wash):** Yes

**Delayed Timer (h):** 1-24 HOURS

**Adjustable Feet Back:** Yes

**Adjustable feet front:** Yes

**Supplier name or trademark:** TEKA

**Supplier's address:** C/Cajo, 17, 39011, Santander , Spain

**Model identifier:** LP9 440 EU

**Rated capacity (nb of place settings):** 10

**Height (cm):** 85

**Width (cm):** 45

**Depth (cm):** 61

**Airborne acoustical noise emission class:** C

**Minimum duration of the guarantee offered by the supplier:** 2

**Additional information:**

Weblink to the supplier's website, where the information in point 6 of Annex II to Commission Regulation (EU) 2019/2022 (1) (b) is found:

(a) for the eco programme.

(b) changes to these items shall not be considered relevant for the purposes of paragraph 4 of Article 4 of Regulation (EU) 2017/1369.

(c) if the product database automatically generates the definitive content of this cell the supplier shall not enter these data.



LP9 440 EU

ENERGY LABEL

