



# HLB 830 Multifunction Oven with HydroCleanPRO



70L



Plus Extension  
Telescopic  
Guide



HydroClean

**DESCRIPTION**

Multifunction Oven with HydroCleanPRO

**LIFE STYLE**

Maestro

**COLOURS**



**REFERENCE**

REF. 41560063  
EAN. 8421152157831

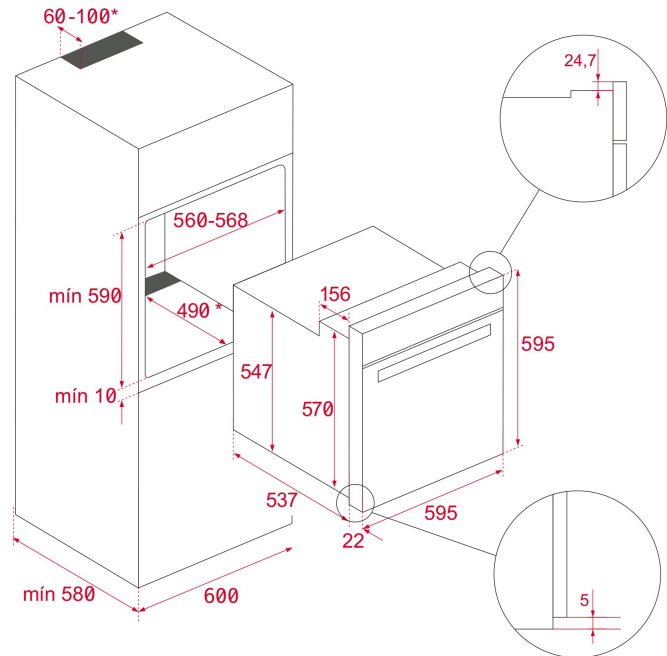


**TEKA**

**HLB 830**

**FEATURES**

Multifunction oven  
6 Cooking functions  
Automatic HydroClean system  
Touch control display  
Chrome supports with 5 cooking levels  
1 Plus Extension telescopic guide  
Double glazed door  
Mechanical quick preheating  
Anti-tip deep tray  
Dynamic ventilation  
Gross/net capacity: 71/70 litres



## DIMENSIONS

**Product height (mm):** 595

**Product width (mm):** 595

**Product depth (mm):** 537+22

**Product length (mm):**

**Net weight (Kg):** 27

## TECH SPECS

### PARTICULAR CHARACTERISITICS

**Certificates:** N / CE / CCA / CB

**Number of cavities:** 1

**Type of inner light:** Halogen

**Inside light position:** RIGHT TOP CORNER

**Enamelled cavity:** Yes

**Function selector:** 8+0

**Number of cooking functions:** 6

**Grill function:** Yes

**Bottom function:** Yes

**ECO function:** Yes

**Mechanical quick heating:** Yes

**Touch Control Programmer:** Yes

**Knobs type:** MMX FIX knurling printed

**Removable chromed tray guides:** Yes

**Number of guide levels:** 5

**Easy slide telescopic guides:** Yes

### ELECTRIC CONNECTION

**Maximum Nominal Power (W):** 2593

**Frequency (Hz):** 50/60

**Power rate (V):** 220-240

**Cable Connection Length (cm):** 110

**Inside light Consumption (W):** 25

## **ENERGY CONSUMPTION**

**Energy consumption per cycle in conventional mode (kWh):**  
0.81

**Energy consumption per cycle in fan-forced convection mode (kWh):** 0,68

**Bottom Heating Element (W):** 1150

**Grill (W):** 1400

**Traditional (W):** 2550

**Multifunction Turbo (W):** 22

**Cooling Fan Motor (W):** 18

## **SECURITY SYSTEM**

**Panel blocking system:** Yes

**Grill protection:** Yes

**Anti-tip tray system:** Yes

**Safety Thermostat:** Yes

## **CLEANING SYSTEM**

**Crystal Clean Enamel (Slippery):** Yes

**Hydroclean PRO:** Yes

## **ACCESSORIES**

**Deep Tray (50 mm):** 1

**Standard grid:** 1

## **ENERGY EFFICIENCY**

**Energy Efficiency Class:** A+

**Energy Efficiency Index (EEI):** 81

## **PRODUCT INFORMATION SHEET - DELEGATED REGULATION (EU) 65/2014**

**Supplier name or trademark:** TEKA

**Model identifier:** HLB 830 BK-SS

**Number of cavities:** 1

**Cavity 1**

**Energy Efficiency Index:** 81

**Energy Efficiency Class:** A+

**Energy consumption per cycle (conventional mode):** 0.81

**Energy consumption per cycle (fan-forced convection mode):**  
0,68

**Heat source :** Electric

**Volume:** 71

