



# HSB 610 60cm Multifunction Oven with HydroCleanECO



70L



Plus Extension  
Telescopic  
Guide



HydroClean

**DESCRIPTION**

60cm Multifunction Oven with HydroCleanECO

**LIFE STYLE**

Total

**COLOURS**



**REFERENCE**

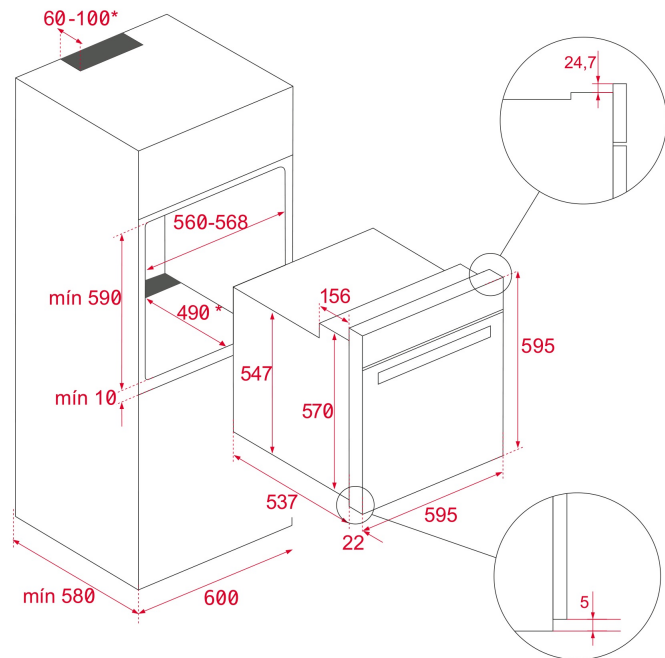
REF. 41560115  
EAN. 8421152157695



## HSB 610

### FEATURES

Multifunction oven  
6 Cooking functions  
HydroClean system  
Mechanical control knobs  
Minute minder  
Chrome supports with 5 cooking levels  
1 Plus Extension telescopic guide  
Double glazed door  
Mechanical quick preheating  
Anti-tip deep tray  
Dynamic ventilation  
Gross/net capacity: 71/70 litres



## DIMENSIONS

**Product height (mm):** 595

**Product width (mm):** 595

**Product depth (mm):** 537+22

**Product length (mm):**

**Net weight (Kg):** 27

## TECH SPECS

### PARTICULAR CHARACTERISITICS

**Certificates:** N / CE / CCA / CB/ EAC

**Number of cavities:** 1

**Type of inner light:** Halogen

**Inside light position:** RIGHT TOP CORNER

**Enamelled cavity:** Yes

**Function selector:** 7+0

**Number of cooking functions:** 6

**Grill function:** Yes

**Bottom function:** Yes

**ECO function:** Yes

**Mechanical quick heating:** Yes

**Minute Minder:** Yes

**Knobs type:** MMX FIX knurling

**Removable chromed tray guides:** Yes

**Number of guide levels:** 5

**Easy slide telescopic guides:** Yes

### ELECTRIC CONNECTION

**Maximum Nominal Power (W):** 2615

**Frequency (Hz):** 50/60

**Power rate (V):** 220-240

**Cable Connection Length (cm):** 110

**Inside light Consumption (W):** 25

## **ENERGY CONSUMPTION**

**Energy consumption per cycle in conventional mode (kWh):**  
0.82

**Energy consumption per cycle in fan-forced convection mode (kWh):** 0,71

**Bottom Heating Element (W):** 1150

**Grill (W):** 1400

**Traditional (W):** 2550

**Multifunction Turbo (W):** 22

**Cooling Fan Motor (W):** 18

## **SECURITY SYSTEM**

**Grill protection:** Yes

**Anti-tip tray system:** Yes

**Safety Thermostat:** Yes

## **CLEANING SYSTEM**

**Crystal Clean Enamel (Slippery):** Yes

**Hydroclean ECO:** Yes

## **ACCESSORIES**

**Deep Tray (50 mm):** 1

**Standard grid:** 1

## **ENERGY EFFICIENCY**

**Energy Efficiency Class:** A

**Energy Efficiency Index (EEI):** 84,7

## **PRODUCT INFORMATION SHEET - DELEGATED REGULATION (EU) 65/2014**

**Supplier name or trademark:** TEKA

**Model identifier:** HSB 610

**Number of cavities:** 1

**Cavity 1**

**Energy Efficiency Index:** 84,7

**Energy Efficiency Class:** A

**Energy consumption per cycle (conventional mode):** 0.82

**Energy consumption per cycle (fan-forced convection mode):**  
0,71

**Heat source :** Electric

**Volume:** 71



HSB 610

ENERGY LABEL

