



HSB 640 60cm A+ Multifunction SurroundTemp Oven with HydrocleanPRO



70L



Plus Extension
Telescopic
Guide



HydroClean



SurroundTemp

DESCRIPTION

60cm A+ Multifunction SurroundTemp Oven with HydrocleanPRO

LIFE STYLE

Total

COLOURS



REFERENCE

REF. 41560275
EAN. 8421152157817

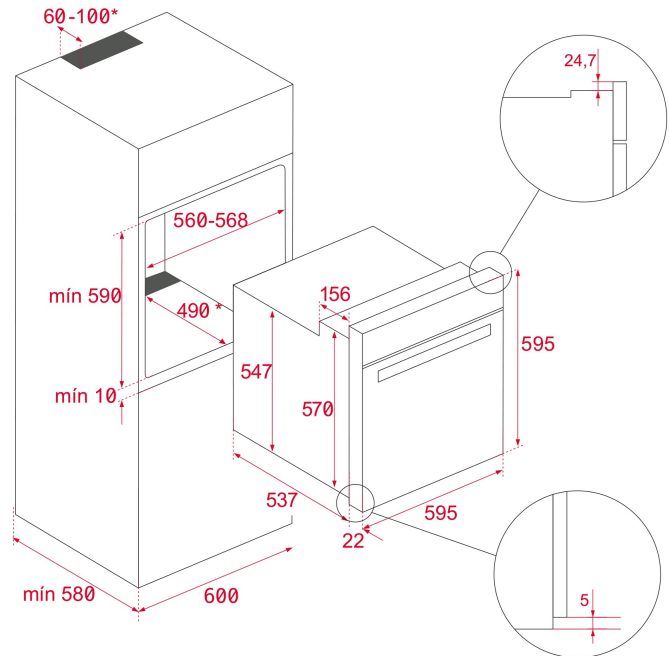


TEKA

HSB 640

FEATURES

Multifunction SurroundTemp
9 Cooking functions
Automatic HydroClean system
Touch control display
Chrome supports with 5 cooking levels
1 Plus Extension telescopic guide
Double glazed door
Mechanical quick preheating
Anti-tip deep tray and anti-tip baking tray
Dynamic ventilation
Gross/net capacity: 71/70 litres



DIMENSIONS

Product height (mm): 595
Product width (mm): 595
Product depth (mm): 537+22
Product length (mm):
Net weight (Kg): 27

TECH SPECS

PARTICULAR CHARACTERISTICS

Certificates: N / CE / CCA / CB
Number of cavities: 1
Type of inner light: Halogen
Inside light position: RIGHT TOP CORNER
Enamelled cavity: Yes
Function selector: 11+0
Number of cooking functions: 9
Grill function: Yes
MaxiGrill function: Yes
Bottom function: Yes
Turbo function: Yes
ECO function: Yes
Mechanical quick heating: Yes
Touch Control Programmer: Yes
Knobs type: MMX FIX knurling
Removable chromed tray guides: Yes
Number of guide levels: 5
Easy slide telescopic guides: Yes

ELECTRIC CONNECTION

Maximum Nominal Power (W): 3215

Frequency (Hz): 50/60
Power rate (V): 220-240
Cable Connection Length (cm): 110
Inside light Consumption (W): 25

ENERGY CONSUMPTION

Energy consumption per cycle in conventional mode (kWh):
0.81
Energy consumption per cycle in fan-forced convection mode (kWh): 0,68
Bottom Heating Element (W): 1150
Grill (W): 1400
Maxi Grill (W): 2500
Traditional (W): 2550
Turbo (W): 2000
Multifunction Turbo (W): 22
Cooling Fan Motor (W): 18

SECURITY SYSTEM

Panel blocking system: Yes
Grill protection: Yes
Anti-tip tray system: Yes
Safety Thermostat: Yes

CLEANING SYSTEM

Crystal Clean Enamel (Slippery): Yes
Hydroclean PRO: Yes

ACCESSORIES

Baking Tray: 1
Deep Tray (50 mm): 1
Standard grid: 1

ENERGY EFFICIENCY

Energy Efficiency Class: A+
Energy Efficiency Index (EEI): 81

PRODUCT INFORMATION SHEET - DELEGATED REGULATION (EU) 65/2014

Supplier name or trademark: TEKA
Model identifier: HSB 640
Number of cavities: 1

Cavity 1

Energy Efficiency Index: 81
Energy Efficiency Class: A+
Energy consumption per cycle (conventional mode): 0.81
Energy consumption per cycle (fan-forced convection mode):
0,68
Heat source : Electric
Volume: 71



HSB 640

ENERGY LABEL

