



HSB 620 P N 60cm A+ Multifunction Pyrolytic Oven



70L



DualClean



HydroClean



Pyrolysis

DESCRIPTION

60cm A+ Multifunction Pyrolytic Oven

LIFE STYLE

Total

COLOURS



REFERENCE

REF. 41566032
EAN. 8421152157718

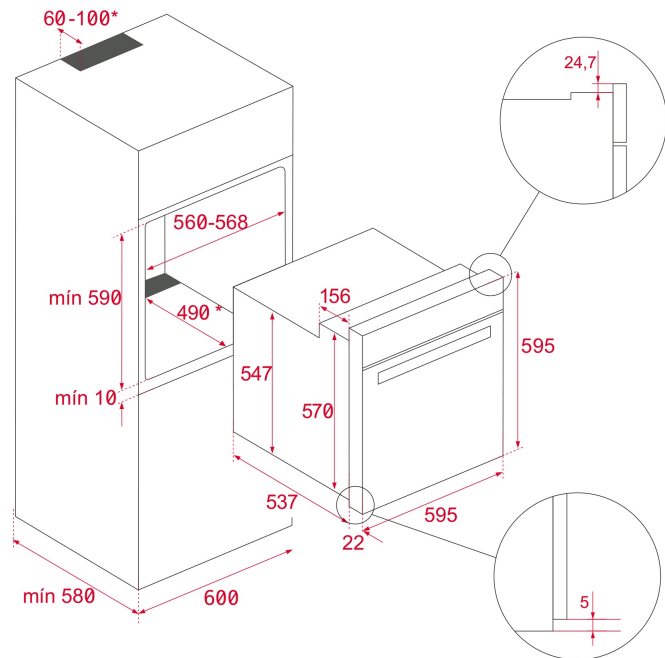


TEKA

HSB 620 P N

FEATURES

Multifunction oven
8 Cooking functions
Pyrolysis self-cleaning system & automatic HydroClean system
Touch control display
Chrome supports with 5 cooking levels
Triple glazed door
Automatic disconnection security system
Children safety lock
Mechanical quick preheating
Anti-tip deep tray
Tangential ventilation Plus with 2 speeds
Gross/net capacity: 71/70 litres



DIMENSIONS

Product height (mm): 595

Product width (mm): 595

Product depth (mm): 537+22

Product length (mm):

Net weight (Kg): 31

TECH SPECS

PARTICULAR CHARACTERISITICS

Certificates: N / CE / CCA / CB

Number of cavities: 1

Type of inner light: Halogen

Inside light position: RIGHT TOP CORNER

Enamelled cavity: Yes

Function selector: 11+0

Number of cooking functions: 8

Grill function: Yes

MaxiGrill function: Yes

Bottom function: Yes

ECO function: Yes

Mechanical quick heating: Yes

Touch Control Programmer: Yes

Knobs type: MMX FIX knurling

Removable chromed tray guides: Yes

Number of guide levels: 5

ELECTRIC CONNECTION

Maximum Nominal Power (W): 3552

Frequency (Hz): 50/60

Power rate (V): 220-240

Cable Connection Length (cm): 110

Inside light Consumption (W): 25

ENERGY CONSUMPTION

Energy consumption per cycle in conventional mode (kWh):
0.88

Energy consumption per cycle in fan-forced convection mode (kWh): 0,68

Bottom Heating Element (W): 1050

Grill (W): 1400

Maxi Grill (W): 2450

Traditional (W): 2450

Multifunction Turbo (W): 25

Cooling Fan Motor (W): 30

SECURITY SYSTEM

Automatic disconnection when opening the door: Yes

Panel blocking system: Yes

Children safety block option: Yes

Grill protection: Yes

Anti-tip tray system: Yes

Safety Thermostat: Yes

CLEANING SYSTEM

Crystal Clean Enamel (Slippery): Yes

Hydroclean PRO: Yes

Pyrolytic: Yes

DualClean: Yes

ACCESSORIES

Deep Tray (50 mm): 1

Standard grid: 1

ENERGY EFFICIENCY

Energy Efficiency Class: A+

Energy Efficiency Index (EEI): 81

PRODUCT INFORMATION SHEET - DELEGATED REGULATION (EU) 65/2014

Supplier name or trademark: TEKA

Model identifier: HSB 620 P

Number of cavities: 1

Cavity 1

Energy Efficiency Index: 81

Energy Efficiency Class: A+

Energy consumption per cycle (conventional mode): 0.88

Energy consumption per cycle (fan-forced convection mode):
0,68

Heat source : Electric

Volume: 71



HSB 620 P N

ENERGY LABEL

The energy label for the TEKA HSB 620 P is a vertical rectangular sticker. At the top left is the European Union flag. To its right is the word "ENERG" in large blue letters, with "енергия" and "енергия" in smaller text below it. Further right are two circular icons: one with "Y" and "IA" and another with "IE" and "IA". Below this header is the TEKA logo and the model name "HSB 620 P". A central graphic shows a vertical scale of energy efficiency classes from A+++ (top, green) to D (bottom, red). A black arrow points to the A+ class. To the left of the scale is a small icon of a washing machine with a power cord. Below the scale are two boxes: the first contains a washing machine icon and "70 L"; the second contains a washing machine icon and "0.68 kWh/cycle*". To the right of the second box is another washing machine icon and "0.88 kWh/cycle*". At the bottom, there is a small line of text in multiple languages and the number "65/2014".