



HSF 924 G 90cm Multifunction Gas Oven with HydroClean cleaning system



69L

DESCRIPTION

90cm Multifunction Gas Oven with HydroClean cleaning system

LIFE STYLE

Total

COLOURS



REFERENCE

REF. 41596122
EAN. 8421152155257

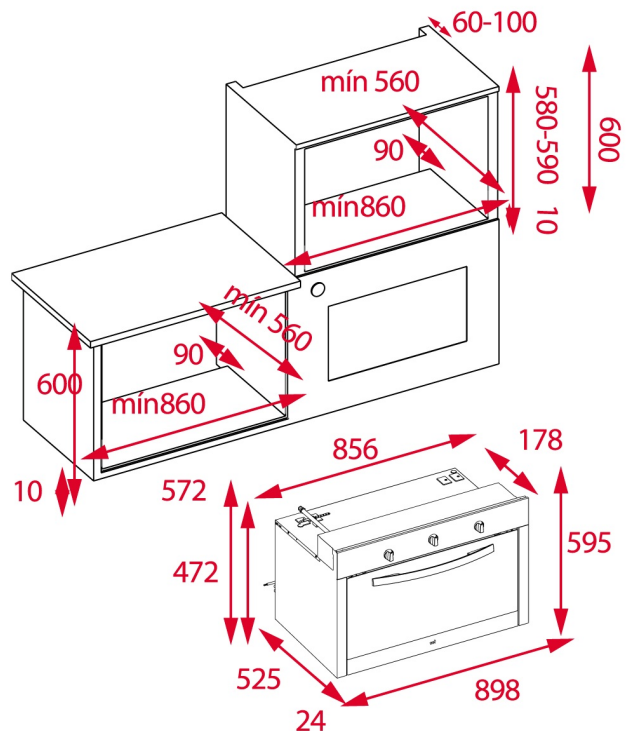


TEKA

HSF 924 G

FEATURES

Gas oven with electric grill
Multifunction oven
5 Cooking functions
Mechanical control knobs
Minute minder
Chrome supports with 5 cooking levels
Double glazed door
Anti-tip deep tray and reinforced grid
Tangential ventilation
Gross/net capacity: 88/69 litres



DIMENSIONS

Product height (mm): 595
Product width (mm): 898
Product depth (mm): 525
Product length (mm):
Net weight (Kg): 42

TECH SPECS

PARTICULAR CHARACTERISTICS

Number of cavities: 1
Type of inner light: Halogen
Inside light position: SIDE
Enamelled cavity: Yes
Function selector: 5+0
Number of cooking functions: 5
Grill function: Yes
Bottom function: Yes
Minute Minder: Yes
Knobs type: MMX FIX KNOB knurling \varnothing 47
Removable chromed tray guides: Yes
Number of guide levels: 5
Drop-down grill: Yes
Forced refrigeration tangential 1 speed: Yes

ELECTRIC CONNECTION

Maximum Nominal Power (W): 1.998
Frequency (Hz): 50/60
Power rate (V): 127
Cable Connection Length (cm): 110
Inside light Consumption (W): 25

ENERGY CONSUMPTION

Energy consumption per cycle in conventional mode (kWh):
2.36

Energy consumption per cycle in fan-forced convection mode (kWh): 2,54

Bottom Heating Element (W): 4.000

Grill (W): 1.9

Multifunction Turbo (W): 30

Cooling Fan Motor (W): 18

SECURITY SYSTEM

Grill protection: Yes

Anti-tip tray system: Yes

Safety Thermostat: Yes

CLEANING SYSTEM

Fingerprint proof stainless steel: Yes

Crystal Clean Enamel (Slippery): Yes

ACCESSORIES

Deep Tray (50 mm): 1

Reinforced grid: 1

ENERGY EFFICIENCY

Energy Efficiency Class: B

Energy Efficiency Index (EEI): 129,4

PRODUCT INFORMATION SHEET - DELEGATED REGULATION (EU) 65/2014

Supplier name or trademark: TEKA

Model identifier: HSF 924 G

Number of cavities: 1

Cavity 1

Energy Efficiency Index: 129,4

Energy Efficiency Class: B

Energy consumption per cycle (conventional mode): 2.36

Energy consumption per cycle (fan-forced convection mode):
2,54

Heat source : Gas + Electric grill

Volume: 88

