



# HBE 490 ME 60cm Polivalent Conventional Oven



72L

**DESCRIPTION**

60cm Polivalent Conventional Oven

**LIFE STYLE**

Easy

**COLOURS**



**REFERENCE**

REF. 111280001  
EAN. 8434778005387

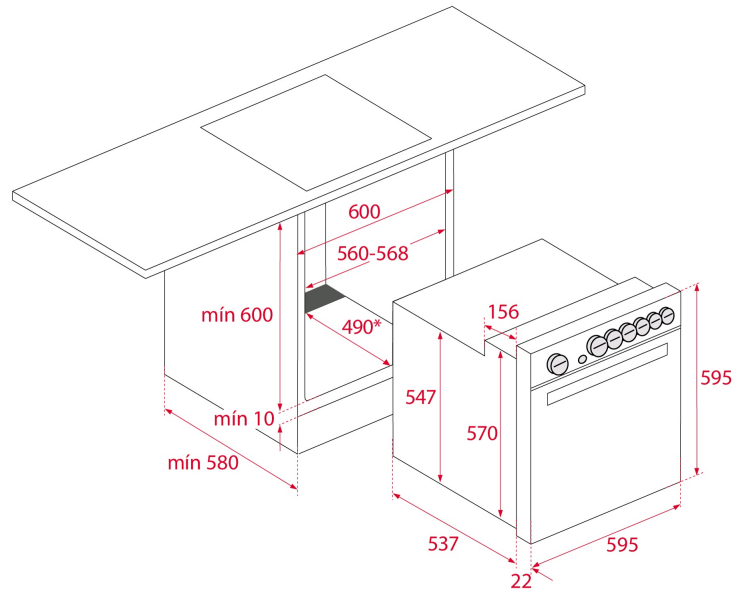


**TEKA**

**HBE 490 ME**

**FEATURES**

Polivalent oven  
Conventional oven  
3 Cooking functions  
Double glazed door  
Anti-tip deep tray  
Gross/net capacity: 75/72 litres



## DIMENSIONS

**Product height (mm):** 595

**Product width (mm):** 595

**Product depth (mm):** 537+22

**Product length (mm):**

**Net weight (Kg):** 23

## TECH SPECS

### PARTICULAR CHARACTERISTICS

**Certificates:** N / CE / CCA / CB / EAC

**Number of cavities:** 1

**Type of inner light:** Halogen

**Inside light position:** Right top corner

**Enamelled cavity:** Yes

**Function selector:** 3+0

**Number of cooking functions:** 3

**Grill function:** Yes

**Bottom function:** Yes

**Knobs type:** S2K black

### ELECTRIC CONNECTION

**Maximum Nominal Power (W):** 2593

**Frequency (Hz):** 50/60

**Power rate (V):** 220-240

**Cable Connection Length (cm):** 110

**Inside light Consumption (W):** 25

### ENERGY CONSUMPTION

**Energy consumption per cycle in conventional mode (kWh):**

0.81

**Bottom Heating Element (W):** 1150

**Grill (W):** 1400

**Maxi Grill (W):** 2500

**Traditional (W):** 2550

**Cooling Fan Motor (W):** 18

## **SECURITY SYSTEM**

**Grill protection:** Yes

**Anti-tip tray system:** Yes

**Safety Thermostat:** Yes

## **CLEANING SYSTEM**

**Crystal Clean Enamel (Slippery):** Yes

## **ACCESSORIES**

**Baking Tray:** 0

**Deep Tray (50 mm):** 1

**The SteamBox:** 0

**Glass Tray:** 0

## **ENERGY EFFICIENCY**

**Energy Efficiency Class:** A

**Energy Efficiency Index (EEI):** 95,3

## **PRODUCT INFORMATION SHEET - DELEGATED REGULATION (EU) 65/2014**

**Supplier name or trademark:** TEKA

**Model identifier:** HBE 490 ME BK E00

**Number of cavities:** 1

**Cavity 1**

**Energy Efficiency Index:** 95,3

**Energy Efficiency Class:** A

**Energy consumption per cycle (conventional mode):** 0.81

**Heat source :** Electric

**Volume:** 75

