



TEKA HCB 6415 SS Multifunction Oven with 6 cooking functions and Push-Pull Knobs



HydroClean

DESCRIPTION

Multifunction Oven with 6 cooking functions and Push-Pull Knobs

LIFE STYLE

Easy

COLOURS



REFERENCE

REF. 111020004
EAN. 8434778001921

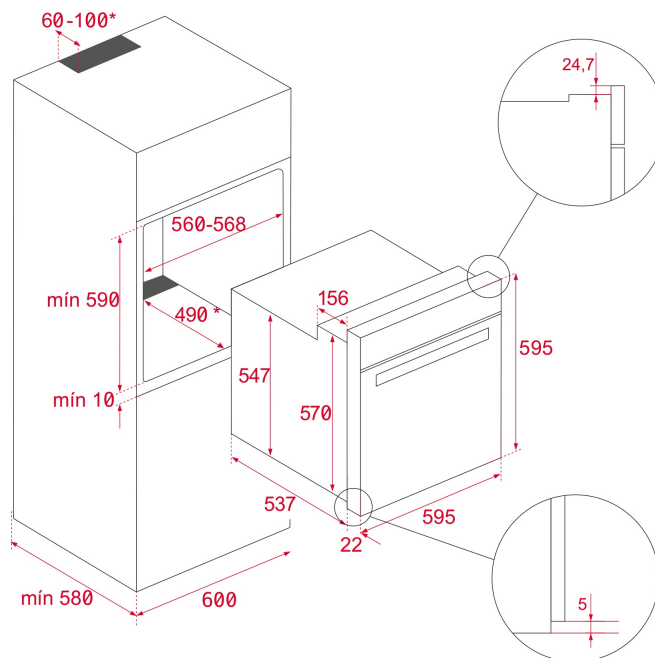


TEKA

HCB 6415 SS

FEATURES

Multifunction oven
6 Cooking functions
HydroClean system
Mechanical control knobs
Chrome supports with 5 cooking levels
Embossed cavity
Double glazed door
Mechanical quick preheating
Anti-tip baking tray
Dynamic ventilation
Gross/net capacity: 70/65 litres



DIMENSIONS

Product height (mm): 595

Product width (mm): 595

Product depth (mm): 537+22

Product length (mm):

Net weight (Kg): 26

TECH SPECS

PARTICULAR CHARACTERISTICS

Certificates: N / CE / CCA / CB/ EAC

Number of cavities: 1

Type of inner light: Halogen

Inside light position: RIGHT TOP CORNER

Enamelled cavity: Yes

Function selector: 7+0

Number of cooking functions: 6

Grill function: Yes

Bottom function: Yes

ECO function: Yes

Mechanical quick heating: Yes

Knobs type: POP IN-OUT

Number of guide levels: 5

ELECTRIC CONNECTION

Maximum Nominal Power (W): 2615

Frequency (Hz): 50/60

Power rate (V): 220-240

Cable Connection Length (cm): 110

Inside light Consumption (W): 25

ENERGY CONSUMPTION

Energy consumption per cycle in conventional mode (kWh):
0.82

Energy consumption per cycle in fan-forced convection mode (kWh): 0,71

Bottom Heating Element (W): 1150

Grill (W): 1400

Traditional (W): 2550

Multifunction Turbo (W): 22

Cooling Fan Motor (W): 18

SECURITY SYSTEM

Grill protection: Yes

Anti-tip tray system: Yes

Safety Thermostat: Yes

CLEANING SYSTEM

Fingerprint proof stainless steel: Yes

Crystal Clean Enamel (Slippery): Yes

Hydroclean ECO: Yes

ACCESSORIES

Baking Tray: 1

ENERGY EFFICIENCY

Energy Efficiency Class: A

Energy Efficiency Index (EEI): 84,7

PRODUCT INFORMATION SHEET - DELEGATED REGULATION (EU) 65/2014

Supplier name or trademark: TEKA

Model identifier: HCB 6415 SS

Number of cavities: 1

Cavity 1

Energy Efficiency Index: 84,7

Energy Efficiency Class: A

Energy consumption per cycle (conventional mode): 0.82

Energy consumption per cycle (fan-forced convection mode):
0,71

Heat source : Electric

Volume: 70



HCB 6415 SS

ENERGY LABEL

ENERG
енергия · ενεργεια
IE IA
Y UA

TEKA HCB 6415

A+++
A++
A+ **A**
A
B
C
D

65 L

0.78 kWh/cycle*
0.73 kWh/cycle*

* unekas · cyclus · portion · zykus · nrolypouasa · ciclo · tsükkel · ohjelma · ciklus · ciklas · cikls · ciklu · cyclus · cykl · ciklu · program · cykel

65/2014