



TEKA HCB 6545 60cm SurroundTemp Multifunction Oven with 9 cooking functions



70L



Plus Extension
Telescopic
Guide



HydroClean



SurroundTemp

DESCRIPTION

60cm SurroundTemp Multifunction Oven with 9 cooking functions

LIFE STYLE

Easy

COLOURS



REFERENCE

REF. 111020020
EAN. 8434778011135

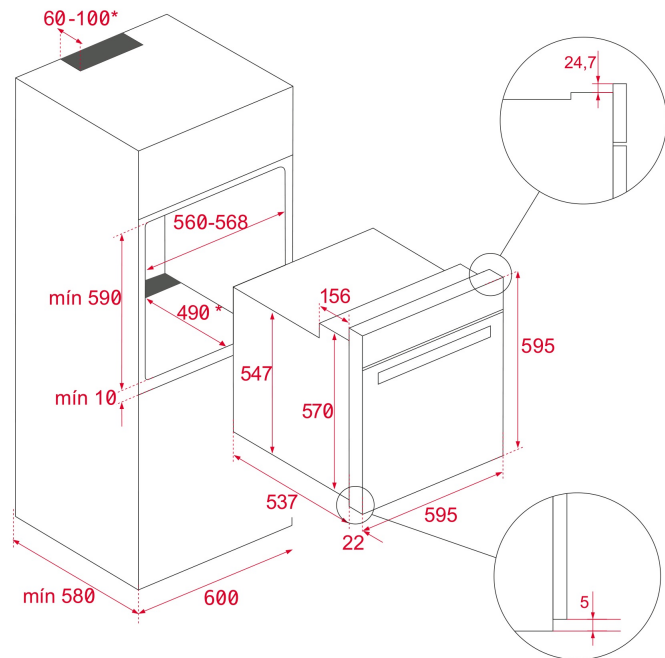


TEKA

HCB 6545

FEATURES

Multifunction oven (Surround Temp)
Hydroclean PRO
9 cooking functions
Top + Bottom, Maxigrill + fan, Grill, Maxigrill, ECO,
Bottom + TURBO, Bottom, Turbo, Defrosting
Mechanical preheating
Capacity gross/net: 71/70 litres
Touch control programmer
Pop in/out knobs
2-glazed door
Full glass inner door
Tray guides with 5 levels
Enameled cavity with 1 telescopic guide
Cooling fan
Panel blocking, grill protection, anti-tip tray system,
Deep tray enamel and standard grid



DIMENSIONS

Product height (mm): 595

Product width (mm): 595

Product depth (mm): 537+22

Product length (mm):

Net weight (Kg): 27

TECH SPECS

PARTICULAR CHARACTERISTICS

Certificates: N / CE / CCA / CB/ EAC

Number of cavities: 1

Type of inner light: Halogen

Inside light position: RIGHT TOP CORNER

Enamelled cavity: Yes

Function selector: 11+0

Number of cooking functions: 9

Grill function: Yes

MaxiGrill function: Yes

Bottom function: Yes

Turbo function: Yes

ECO function: Yes

Mechanical quick heating: Yes

Touch Control Programmer: Yes

Knobs type: POP IN-OUT

Removable chromed tray guides: Yes

Number of guide levels: 5

ELECTRIC CONNECTION

Maximum Nominal Power (W): 2615

Frequency (Hz): 50/60

ENERGY CONSUMPTION

Power rate (V): 220-240
Cable Connection Length (cm): 110
Inside light Consumption (W): 25

Energy consumption per cycle in conventional mode (kWh):
0.86

Energy consumption per cycle in fan-forced convection mode (kWh): 0,68

Bottom Heating Element (W): 1150

Grill (W): 1400

Maxi Grill (W): 2500

Traditional (W): 2550

Turbo (W): 2000

Multifunction Turbo (W): 22

Cooling Fan Motor (W): 18

SECURITY SYSTEM

Panel blocking system: Yes

Grill protection: Yes

Anti-tip tray system: Yes

Safety Thermostat: Yes

CLEANING SYSTEM

Fingerprint proof stainless steel: Yes

Crystal Clean Enamel (Slippery): Yes

Hydroclean PRO: Yes

ACCESSORIES

Deep Tray (50 mm): 1

Standard grid: 1

ENERGY EFFICIENCY

Energy Efficiency Class: A+

Energy Efficiency Index (EEI): 81

PRODUCT INFORMATION SHEET - DELEGATED REGULATION (EU) 65/2014

Supplier name or trademark: TEKA

Model identifier: HCB 6545 SS

Number of cavities: 1

Cavity 1

Energy Efficiency Index: 81

Energy Efficiency Class: A+

Energy consumption per cycle (conventional mode): 0.86

Energy consumption per cycle (fan-forced convection mode):
0,68

Heat source : Electric

Volume: 71



HCB 6545

ENERGY LABEL

The energy label for the TEKA HCB 6545 dishwasher is a vertical rectangular sticker with a blue border. At the top left is the European Union flag. To its right, the word "ENERG" is written in large blue letters, with "енергия - енерґія" below it. Further right are two circular icons: one with "Y" and "IA" and another with "IE" and "IA". Below this header, the brand name "TEKA" and model number "HCB 6545" are printed. A small icon of a dishwasher with a power cord is shown. The central part of the label features a vertical scale of energy efficiency classes from A+++ (dark green) at the top to D (red) at the bottom. A black arrow points to the A+ class. Below the scale, there are two boxes: the first shows a dishwasher icon and "70 L"; the second shows a cycle icon and "0.80 kWh/cycle*". Below these, another cycle icon is shown with "0.68 kWh/cycle*". At the bottom, there is a line of small text in multiple languages: "* уақуыт циклы - portion - zryklus - porcja - ciclo - tsäkkel - ohjelma - ciklus - ciklus - ciklu - ciklus - cykli - ciclu - program - cykelt". The date "65/2014" is printed at the very bottom.