



**GZC 75330 XBN** 70cm Gas on Glass Hob with ExactFlame function of natural gas



Auto ignition



Autolock



ExactFlame



Easy installation

**DESCRIPTION**

70cm Gas on Glass Hob with ExactFlame function of natural gas

**LIFE STYLE**

Total

**COLOURS**



**REFERENCE**

REF. 112570080  
EAN. 8434778009002



TEKA

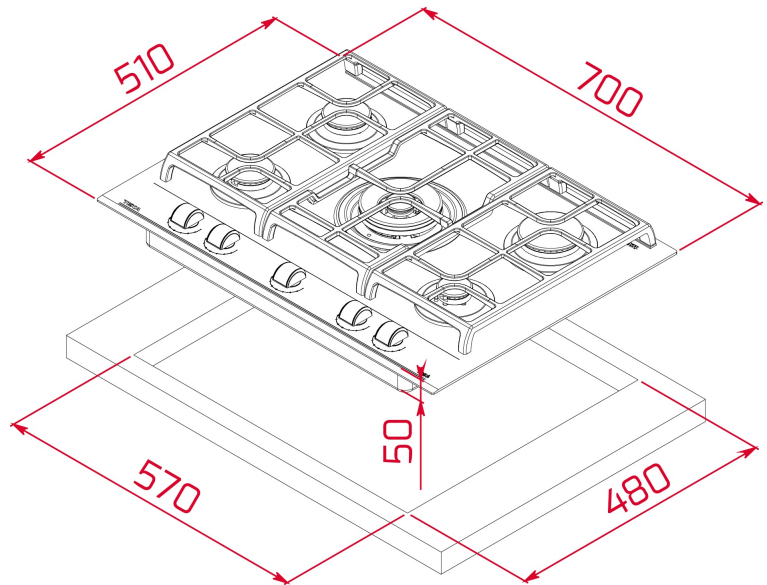
GZC 75330 XBN

## FEATURES

Urban Colors Edition  
Gas on Glass with ExactFlame and bevelled front  
Front control knobs with ergonomic design  
Ceramic glass surface  
9 power levels with precise control of the flame  
5 gas burners  
1 double ring burner, 4,00 kW  
2 semi-fast burners, 1,75 kW  
1 fast burner, 2,80 kW  
1 auxiliary burner, 1,00 kW  
Auto-lock safety device (Thermocouples)  
Automatic-ignition in every burner, activated through control knobs  
Optional Wok support  
Large cast iron pan grids  
Easy installation kit  
Type of Gas: Natural

**TEKA**

**GZC 75330 XBN**



## DIMENSIONS

**Product height (mm):** 98  
**Product width (mm):** 700  
**Product depth (mm):** 510  
**Product length (mm):**  
**Net weight (Kg):** 13,5

## TECH SPECS

### FITTING MEASURES

**Built-in Width (mm):** 570  
**Built-in Depth (mm):** 480  
**Built-in Height (mm):** 49

### PARTICULAR CHARACTERISTICS

**Gas type:** Natural  
**Maximum nominal power (W) (Gas):** 11300  
**Auto ignition:** Yes  
**Number of electric power levels:** 9

### ELECTRIC CONNECTION

**Frequency (Hz):** 50/60  
**Power rate (V):** 220-240  
**Cable Connection Length (cm):** 100  
**Maximum Nominal Power (W) (Electric hob):** 1100

### COOKING ZONES

**Cooking Zones:** 5

**SECURITY SYSTEM**

**Automatic safety disconnection (Auto Lock) (Gas):** Yes  
**Automatic safety disconnection (Auto Lock) (Electric hob):** Yes

**FINISH**

**Surface finishing:** Front bevelled glass  
**Surface type:** Tempered Glass (8mm)  
**Easy installation system:** Yes

**ACCESSORIES**

**Grid type:** Full Grid  
**Wok support:** Optional  
**Junction Kit:** NO  
**Cast Iron Grids:** Yes  
**Teppan Yaki:** NO

