



# HLC 8400 Urban Colors Edition SurroundTemp Compact Multifunction Oven in 45cm with HydroClean® PRO



44L



Plus Extension  
Telescopic  
Guide



HydroClean



SurroundTemp

**DESCRIPTION**

Urban Colors Edition SurroundTemp Compact Multifunction Oven in 45cm with HydroClean® PRO

**LIFE STYLE**

Maestro

**COLOURS**

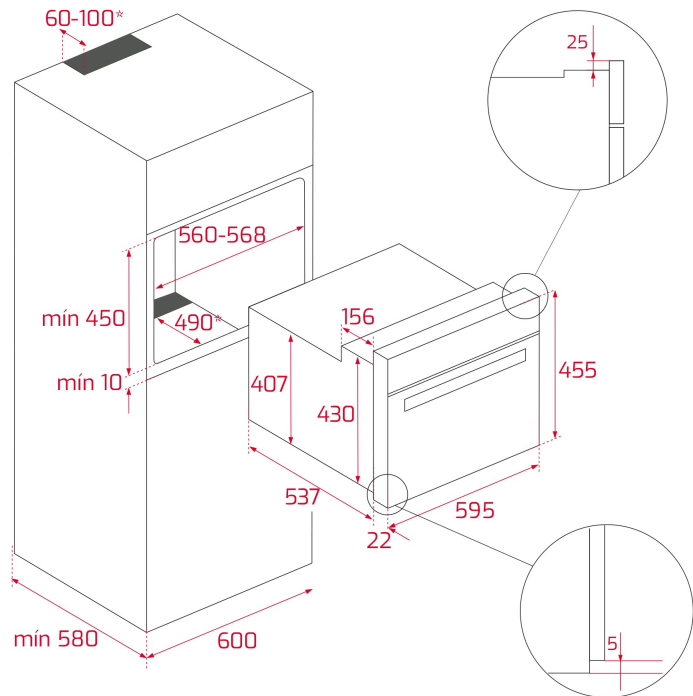


**REFERENCE**

REF. 111130004  
EAN. 8434778007640

**FEATURES**

Multifunction SurroundTemp  
HydroClean® PRO cleaning system  
A+ Energy class: up to 20% less consumption  
Esmalte Slippery  
Capacity: 45/44 litres (gross/net)  
Touch Control panel with LED display  
9 cooking functions  
Express preheating function  
ECO and defrosting functions  
Children safety block  
Triple removable glazed door  
Full glass inner door  
Drop down maxi grill  
1 telescopic guide easy slide  
Anti-tip deep tray and reinforced grid  
Dynamic ventilation  
Optional Muticook and cast aluminium tray



## DIMENSIONS

**Product height (mm):** 455

**Product width (mm):** 595

**Product depth (mm):** 537+22

**Product length (mm):**

**Net weight (Kg):** 25

## TECH SPECS

### PARTICULAR CHARACTERISTICS

**Certificates:** N / CE / CCA / CB / JAS-ANZ/GMARK/SASO

**Number of cavities:** 1

**Type of inner light:** Halogen

**Inside light position:** RIGHT TOP CORNER

**Enamelled cavity:** Yes

**Function selector:** 11+0

**Number of cooking functions:** 9

**Top function:** Yes

**Grill function:** Yes

**MaxiGrill function:** Yes

**Bottom function:** Yes

**Turbo function:** Yes

**ECO function:** Yes

**Mechanical quick heating:** Yes

**Touch Control Programmer:** Yes

**Knobs type:** MMX FIX KNOB knurling

**Removable chromed tray guides:** Yes

**Number of guide levels:** 3

**Easy slide telescopic guides:** Yes

**Drop-down grill:** Yes

**Number of guide levels (lower cavity):** 0

**ELECTRIC CONNECTION****Maximum Nominal Power (W):** 3015**Frequency (Hz):** 50/60**Power rate (V):** 220-240**Cable Connection Length (cm):** 110**Inside light Consumption (W):** 25**ENERGY CONSUMPTION****Energy consumption per cycle in conventional mode (kWh):**  
0.72**Energy consumption per cycle in fan-forced convection mode (kWh):** 0,59**Bottom Heating Element (W):** 1150**Grill (W):** 1400**Maxi Grill (W):** 2500**Traditional (W):** 2550**Turbo (W):** 1800**Multifunction Turbo (W):** 22**Cooling Fan Motor (W):** 18**SECURITY SYSTEM****Panel blocking system:** Yes**Grill protection:** Yes**Anti-tip tray system:** Yes**Safety Thermostat:** Yes**CLEANING SYSTEM****Crystal Clean Enamel (Slippery):** Yes**Hydroclean PRO:** Yes**ACCESSORIES****Deep Tray (50 mm):** 1**Reinforced grid:** 1**ENERGY EFFICIENCY****Energy Efficiency Class:** A+**Energy Efficiency Index (EEI):** 80,8**PRODUCT INFORMATION  
SHEET - DELEGATED  
REGULATION (EU) 65/2014****Supplier name or trademark:** TEKA**Model identifier:** HLC 8400**Number of cavities:** 1**Cavity 1****Energy Efficiency Index:** 80,8**Energy Efficiency Class:** A+**Energy consumption per cycle (conventional mode):** 0.72**Energy consumption per cycle (fan-forced convection mode):**  
0,59**Heat source :** Electric**Volume:** 45

