



# HLB 8510 P Maestro Pizza MaestroPizza Pyrolitic Oven with special Pizza funtion 340°C



- 70L
- DualClean
- Plus Extension Telescopic Guide
- HydroClean
- Pyrolysis
- SoftClose
- SurroundTemp

**DESCRIPTION**

MaestroPizza Pyrolitic Oven with special Pizza funtion 340°C

**LIFE STYLE**

Maestro

**COLOURS**

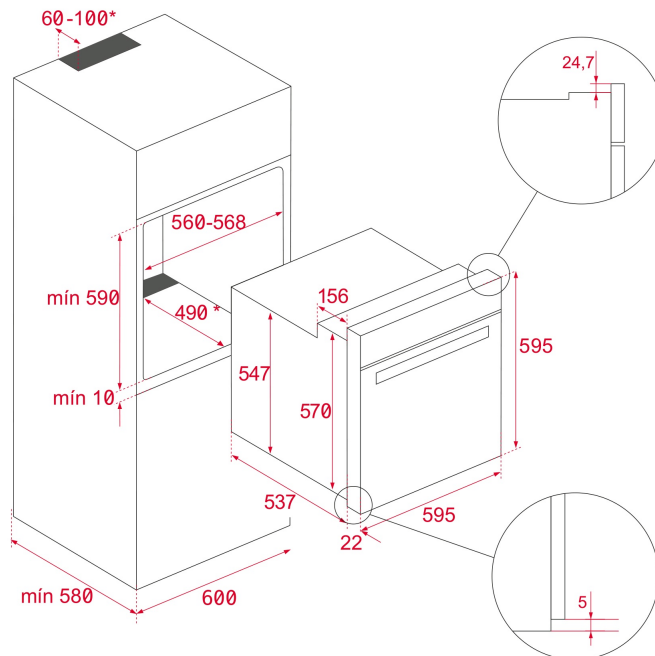


**REFERENCE**

REF. 111000046  
EAN. 8434778017489

**FEATURES**

MaestroPizza Oven  
340°C extra Powerfull grill  
Includes special stone for cooking pizza  
Pyrolytic function and HydroClean® PRO cleaning system  
Multifunction SurroundTemp - 8 Cooking functions  
SoftClose System  
Capacity, gross/net: 71/70 litres  
A+ Energy class: up to 20% less consumption  
Touch Control Programmer  
Telescopic Guides Easy Slide  
Express preheating function  
Four glazed door  
Special baking tray for pizza  
Anti-tip deep & baking trays and cooking grid  
Children safety block option



## DIMENSIONS

**Product height (mm):** 595

**Product width (mm):** 595

**Product depth (mm):** 537+22

**Product length (mm):**

**Net weight (Kg):** 34

## TECH SPECS

### PARTICULAR CHARACTERISTICS

**Certificates:** CE

**Number of cavities:** 1

**Type of inner light:** Halogen

**Inside light position:** RIGHT TOP CORNER

**Enamelled cavity:** Yes

**Function selector:** 11+0

**Number of cooking functions:** 8

**Grill function:** Yes

**MaxiGrill function:** Yes

**Turbo function:** Yes

**ECO function:** Yes

**Mechanical quick heating:** Yes

**Touch Control Programmer:** Yes

**Knobs type:** MMX FIX knurling SS

**Removable chromed tray guides:** Yes

**Number of guide levels:** 5

**Easy slide telescopic guides:** Yes

**SoftClose:** Yes

### ELECTRIC CONNECTION

**Maximum Nominal Power (W):** 3552

**Frequency (Hz):** 50/60  
**Power rate (V):** 220-240  
**Cable Connection Length (cm):** 190  
**Plug:** Yes  
**Inside light Consumption (W):** 25

## ENERGY CONSUMPTION

**Energy consumption per cycle in conventional mode (kWh):**  
0.88  
**Energy consumption per cycle in fan-forced convection mode (kWh):** 0,68  
**Bottom Heating Element (W):** 1050  
**Grill (W):** 1400  
**Maxi Grill (W):** 2450  
**Traditional (W):** 2450  
**Turbo (W):** 2000  
**Multifunction Turbo (W):** 25  
**Cooling Fan Motor (W):** 30

## SECURITY SYSTEM

**Automatic disconnection when opening the door:** Yes  
**Panel blocking system:** Yes  
**Children safety block option:** Yes  
**Grill protection:** Yes  
**Anti-tip tray system:** Yes  
**Safety Thermostat:** Yes

## CLEANING SYSTEM

**Crystal Clean Enamel (Slippery):** Yes  
**Hydroclean PRO:** Yes  
**Pyrolytic:** Yes  
**DualClean:** Yes

## ACCESSORIES

**Baking Tray:** 1  
**Deep Tray (50 mm):** 1  
**Reinforced grid:** 1

## ENERGY EFFICIENCY

**Energy Efficiency Class:** A+  
**Energy Efficiency Index (EEI):** 81

## PRODUCT INFORMATION SHEET - DELEGATED REGULATION (EU) 65/2014

**Supplier name or trademark:** TEKA  
**Model identifier:** HLB 8510 P Maestro Pizza BK E01  
**Number of cavities:** 1

### Cavity 1

**Energy Efficiency Index:** 81  
**Energy Efficiency Class:** A+  
**Energy consumption per cycle (conventional mode):** 0.88  
**Energy consumption per cycle (fan-forced convection mode):**  
0,68  
**Heat source :** Electric  
**Volume:** 71



# HLB 8510 P Maestro Pizza

## ENERGY LABEL

The energy label for the TEKA HLB 8510 P Maestro Pizza is a vertical rectangular sticker. At the top left is the European Union flag. To its right is the word "ENERG" in large letters, with "енергия · ενεργεια" below it. Further right are two circular icons: one with "Y U/A" and another with "IE I/A". Below this header is the TEKA logo and the model number "HLB 8510 P". A central graphic shows a vertical scale of energy efficiency classes from A+++ (green) at the top to D (red) at the bottom. A black arrow points to the A+ class. Below the scale are two boxes: the first shows a pizza icon and "70 L"; the second shows a cycle icon and "0.68 kWh/cycle\*". To the right of these boxes is another box with a cycle icon and "0.88 kWh/cycle\*". At the bottom, there is a line of small text in multiple languages: "\* цыкль · cyclus · portion · zryklus · پردازش · ciclo · tsükkel · objektiva · ciklus · ciklas · ciklo · ciklu · cyclus · cykl · ciclu · program · cykel". The bottom left corner of the label contains the number "65/2014".