



HLB 8600 P A+ Multifunction-Surround Pyrolytic Oven with 20 recipes



70L



DualClean



Full Extension
Telescopic
Guide



HydroClean



Pyrolysis



SoftClose



SurroundTemp

DESCRIPTION

A+ Multifunction-Surround Pyrolytic Oven with 20 recipes

LIFE STYLE

Maestro

COLOURS



REFERENCE

REF. 111000015
EAN. 8434778008319

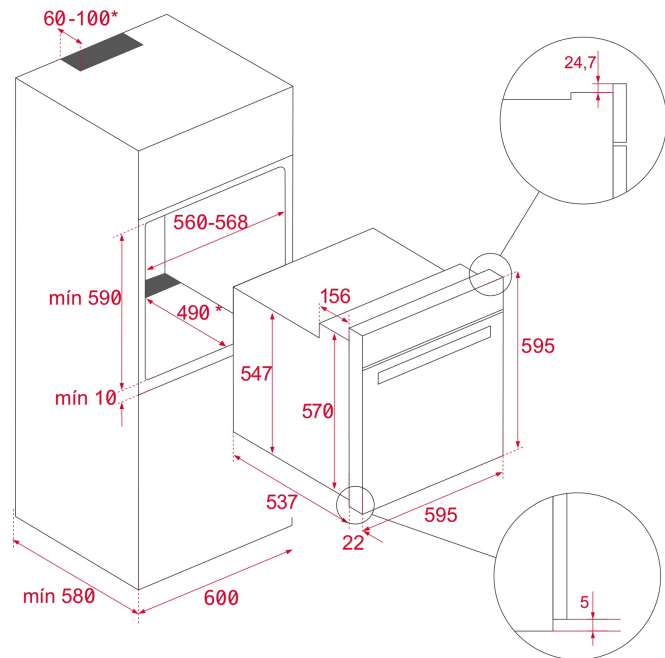


TEKA

HLB 8600 P

FEATURES

Urban Colors Edition
Multifunction SurroundTemp oven
12 cooking functions
Pyrolysis self-cleaning system and automatic HydroClean system
Touch control display with knob
Personal cooking assistant: 20 automatic programs
Chrome supports with 5 cooking levels
Full extension telescopic guides
Easy slide telescopic guides
Removable quadruple glazed door
SoftClose system
Children safety lock
Automatic disconnection safety system
Automatic quick preheating
Anti-tip deep tray and reinforced grid
Capacity (gross/net): 71 / 70 litres



DIMENSIONS

Product height (mm): 595

Product width (mm): 595

Product depth (mm): 537+22

Product length (mm):

Net weight (Kg): 37

TECH SPECS

PARTICULAR CHARACTERISTICS

Certificates: N / CE / CCA / CB

Number of cavities: 1

Type of inner light: Halogen

Inside light position: RIGHT TOP CORNER

Enamelled cavity: Yes

Min. Temperature Regulator (°C): 30

Max. Temperature Regulator (°C): 270

Function selector: ELECTRONIC

Number of cooking functions: 12

Number of recipes: 20

Top + Bottom function: Yes

Grill + Bottom function: Yes

Grill function: Yes

MaxiGrill function: Yes

Top + Bottom + Fan function: Yes

Bottom function: Yes

Bottom + TURBO (Pizza) function: Yes

Turbo function: Yes

ECO function: Yes

Ferment function: Yes

Automatic quick heating: Yes

Slow Cook: Yes

Knobs type: MMX FIX ROTATIVE SS
Removable chromed tray guides: Yes
Number of guide levels: 5
Full extension telescopic guides: Yes
Easy slide telescopic guides: Yes
SoftClose: Yes

ELECTRIC CONNECTION

Maximum Nominal Power (W): 3552
Frequency (Hz): 50/60
Power rate (V): 220-240
Cable Connection Length (cm): 150
Plug: Yes
Inside light Consumption (W): 25

ENERGY CONSUMPTION

Energy consumption per cycle in conventional mode (kWh):
0.87
Energy consumption per cycle in fan-forced convection mode (kWh): 0,68
Bottom Heating Element (W): 1050
Grill (W): 1400
Maxi Grill (W): 2450
Traditional (W): 2450
Turbo (W): 2000
Multifunction Turbo (W): 25
Cooling Fan Motor (W): 30

SECURITY SYSTEM

Automatic disconnection when opening the door: Yes
Panel blocking system: Yes
Children safety block option: Yes
Grill protection: Yes
Anti-tip tray system: Yes
Safety Thermostat: Yes

CLEANING SYSTEM

Crystal Clean Enamel (Slippery): Yes
Hydroclean PRO: Yes
Pyrolytic: Yes
DualClean: Yes

ACCESSORIES

Deep Tray (50 mm): 1
Steak tray: 0
Reinforced grid: 1

ENERGY EFFICIENCY

Energy Efficiency Class: A+
Energy Efficiency Index (EEI): 81



HLB 8600 P

ENERGY LABEL

ENERGY STAR Y IJA IE IA

TEKA HLB 8600 P

A+++
A++
A+ **A+**
A
B
C
D

70L

0.88 kWh/cycle*
0.68 kWh/cycle*

* Unesha - cyclus - parton - zylky - pralyvannya - dode - tsyklye - chystenne - ciklyu - ciklyu - ciklyu - ciklyu - cyclus - cykli - ciklu - program - ciklyu

65/2014