



DLV 68660 TOS Vertical decorative hood with Fresh air function in 60cm



LED



Perimeter extraction



Stop Delay Timer



Fresh AIR

DESCRIPTION

Vertical decorative hood with Fresh air function in 60cm

LIFE STYLE

Maestro

COLOURS



REFERENCE

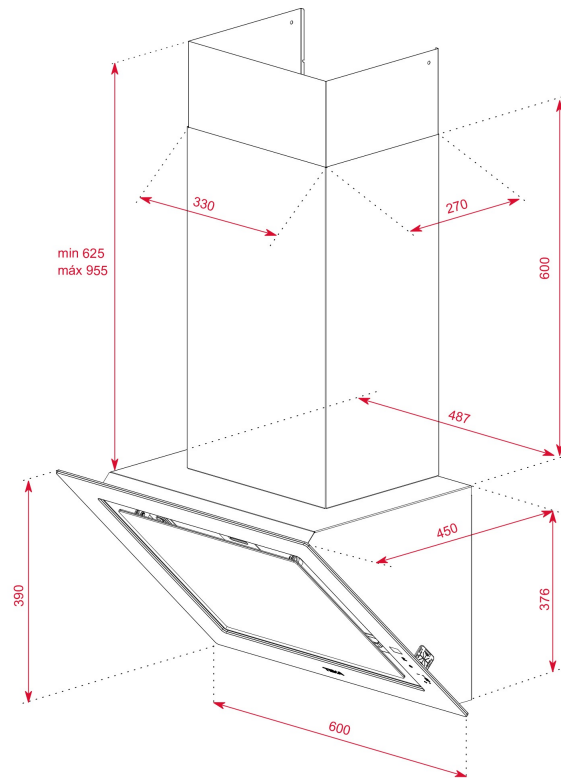
REF. 112930028
EAN. 8434778011920

FEATURES

Urban Colors Edition
Decorative vertical hood
Touch control with display
FreshAir function
3 speeds + 1 intensive
Intensive speed exhaust capacity (dBA): 725
Max speed exhaust capacity (m³/h): 410
Min speed exhaust capacity (m³/h): 232
Intensive speed sound level (dBA): 70,9
Max speed sound level (dBA): 64,6
Min speed sound level (dBA): 49,4
1 LED lamp
1 Aluminum filter
Stop delay timer
Filter saturation indicator
Anti-return valve included
Outlet reduction included
Optional recirculation kit with tube cover installation: CFH 15200 L3C
Optional regenerative recirculation kit with tube cover installation: RFH 15200 L3C
Optional recirculation kit without tube cover installation: CFH 15200 O2C
Optional Charcoal Filter: C1RTK
Optional Regenerative filter: R1RTK

DIMENSIONS

Product height (mm): 1001-1331
Product width (mm): 600
Product depth (mm): 450
Product length (mm):
Net weight (Kg): 12,8



TECH SPECS

PARTICULAR CHARACTERISTICS

Ø Outlet (mm): 150
Removable oil collector: Yes
Type of inner light: LED BAR
Inside light Consumption (W): 7,5
Plug type: Schuko plug
Cable Connection Length (cm): 100
Power rate (V): 220240
Frequency (Hz): 50/60
Total hood power (W): 272,5
Number of motors: 1
Motor power (W): 265

**EU REGULATION NO. 65/2014
 &66/2104**

Annual energy consumption AEC kWh/annum (kWh): 42,4
Energy Efficiency Class: A+
Fluid Dynamic Efficiency (FDEhood): 36,5
Fluid Dynamic Efficiency class: A
Light Efficiency (Lehood) lux/Watt: 52
Lighting Efficiency class: A
Grease Filtering Efficiency class: C
Air flow (Qmin) m3/h: 232

Air flow (Qmax): 410
Air flow (Qboost): 725
Noise (LwA) min. speed (dB): 49
Noise (LwA) max. speed (dB): 65
Noise (LwA) boost speed (dB): 71
Off mode Power (Po) W: 0,32
Energy Efficiency Index (EEI): 42,9
Time increase factor: 0,7
Air pressure at best efficiency point(Pbep) Pa: 493
Electric power input at best efficiency point (Wbep) W: 145
Nominal power of the lighting system (WL) W: 6,7
Average illumination of the lighting system on the cooking surface (Emiddle) Lux: 351

ACCESSORIES

Anti Return valve: Yes
Outlet reduction: Yes
Optional Charcoal Filter: C1RTK
Regenerative charcoal filter: R1RTK
Conventional recirculation kit (opt) - w/tube cover: CFH 15200 L3C
Regenerative recirculation kit (opt) - w/tube cover: RFH 15200 L3C
Conventional recirculation kit (opt) - w/o tube cover: CFH 15200 O2C
Regenerative recirculation kit (opt) - w/o tube cover: RFH 15200 O2C

MODELS

Number of filters: 1
Filter description: Aluminum filters
Opening system: Piston
Control panel: Touch control
Stop delay timer: Yes
Filter saturation indicator: Yes
Time clock: Yes
Number of speeds: 3 + 1
Fresh air function: Yes

PRODUCT INFORMATION SHEET - DELEGATED REGULATION (EU) 65/2014

Supplier name or trademark: TEKA
Model identifier: DLV 68660 TOS
Annual Energy Consumption: 42,4
Energy Efficiency Class: A+
Fluid Dynamic Efficiency: 36,5
Fluid Dynamic Efficiency class: A
Lighting Efficiency: 52
Lighting Efficiency class: A
Grease Filtering Efficiency class: C
Air flow (min speed normal use): 232
Air flow (max speed normal use): 410
Air flow (intensive or boost use): 725
Airborne acoustical A-weighted sound power emissions (min speed normal use): 49.4
Airborne acoustical A-weighted sound power emissions (max speed normal use): 64.6
Airborne acoustical A-weighted sound power emissions (intensive or boost use): 70.9
Power consumption in off mode (W): 0,32



DLV 68660 TOS

ENERGY LABEL

The energy label for the TEKA DLV 68660 TOS is a rectangular sticker with a blue border. At the top left is the European Union flag. To its right is the word "ENERG" in large blue letters, with "енергия · енергiя" in smaller text below it. Further right are four circular icons: a 'Y' in a circle, 'UJ' in a circle, 'IE' in a circle, and 'IA' in a circle. Below this header, the brand name "TEKA" and model number "DLV 68660" are printed. The central part of the label features a vertical scale of energy efficiency classes from A+++ (dark green) at the top to D (red) at the bottom. A black arrow points to the A+ class. To the right of the scale, a white box contains the number "42" and "kWh/annum". Below the scale are four icons in rounded rectangles: a fan (labeled A B C D E F G), a lightbulb (labeled A B C D E F G), water droplets (labeled A B C D E F G), and a speaker (labeled 65 dB). At the bottom left is the reference number "65/2014" and at the bottom right is "1130560".