



MS 620 BIS Built-in Microwave + Grill with Touch Control



Defrost By
Time



Defrost By
Weight



Direct Access
Menu

DESCRIPTION

Built-in Microwave + Grill with Touch Control

LIFE STYLE

Total

COLOURS

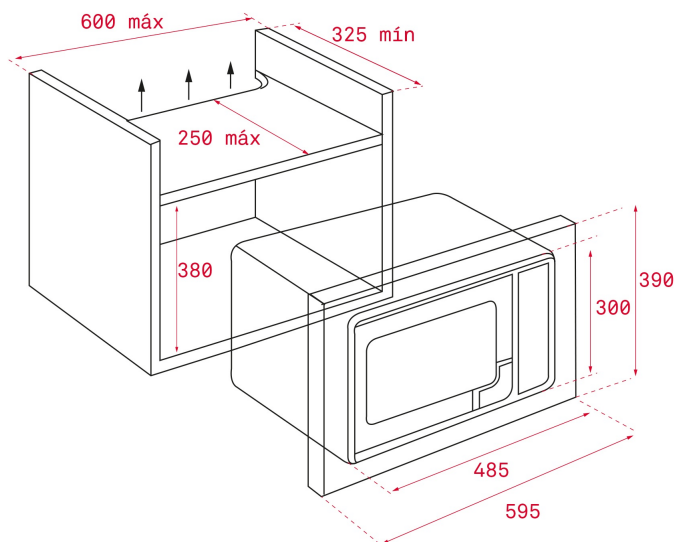


REFERENCE

REF. 40584010
EAN. 8421152145579

FEATURES

Built-in Microwave + Grill
3 cooking functions
3 direct access menus
1 memory
5 power levels, 1200 W
Grill power: 1000 W
Defrost by time and weight
Touch control display with knobs and minute minder
Double glazed door with right opening
Children safety lock
Automatic disconnection when open door
Stainless steel (fingerprint proof)
Quick start
Capacity (gross/net): 20 / 18 litres
Stainless steel cavity



DIMENSIONS

Product height (mm): 390
Product width (mm): 595
Product depth (mm): 325
Product length (mm):
Net weight (Kg): 18,6

TECH SPECS

PARTICULAR CHARACTERISTICS

Certificates: CE/CB
Number of cavities: 1
Number of cooking functions: 3
Number of memories: 1
Grill function: Yes
Number of guide levels (lower cavity): 0
Microwave function: Yes
Microwave + Grill function: Yes
Number of power levels: 5
Minute Quick Start: Yes
Seconds Quick Start: Yes

ELECTRIC CONNECTION

Maximum Nominal Power (W): 1200
Frequency (Hz): 50
Power rate (V): 220 - 240
Cable Connection Length (cm): 110
Plug: Yes

ENERGY CONSUMPTION

Energy consumption per cycle in conventional mode (kWh):

0.617

Grill (W): 1000

Maxi Grill (W): 1000

SECURITY SYSTEM

Automatic disconnection when opening the door: Yes

Panel blocking system: Yes

Children safety block option: Yes

Safety Thermostat: Yes

CLEANING SYSTEM

Fingerprint proof stainless steel: Yes

ACCESSORIES

Glass Tray: 0

ENERGY EFFICIENCY

Energy Efficiency Index (EEI): A

