



ML 820 BIS Built-in Microwave + Grill with Touch Control



Defrost By
Time



Defrost By
Weight



Direct Access
Menu

DESCRIPTION

Built-in Microwave + Grill with Touch Control

LIFE STYLE

Maestro

COLOURS



REFERENCE

REF. 40584200
EAN. 8421152145555

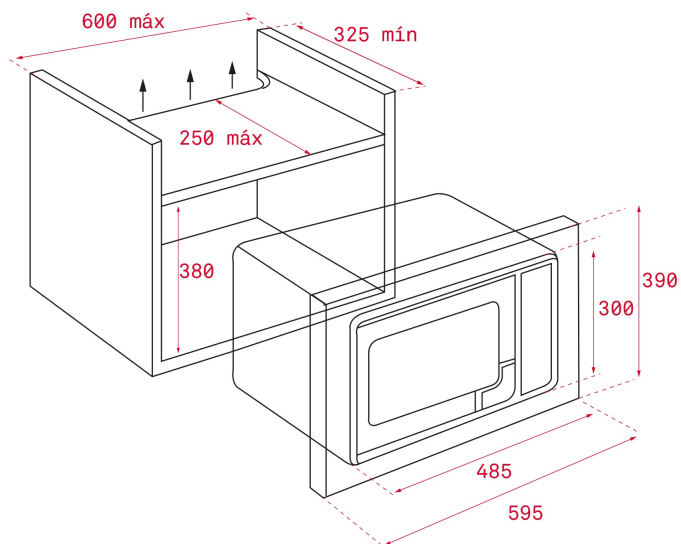


TEKA

ML 820 BIS

FEATURES

Built-in Microwave + Grill
3 cooking functions
3 direct access menus
1 memory
5 power levels, 1200 W
Grill power: 1000 W
Defrost by time and weight
Touch control display with knobs and minute minder
Double glazed door with right opening
Children safety lock
Automatic disconnection when open door
Quick start
Capacity (gross/net): 20 / 18 litres
Stainless steel cavity



DIMENSIONS

Product height (mm): 390

Product width (mm): 595

Product depth (mm): 325

Product length (mm):

Net weight (Kg): 18,6

TECH SPECS

PARTICULAR CHARACTERISTICS

Certificates: CE/CB

Number of cavities: 1

Number of cooking functions: 3

Number of memories: 1

Grill function: Yes

Number of guide levels (lower cavity): 0

Microwave function: Yes

Microwave + Grill function: Yes

Number of power levels: 5

Minute Quick Start: Yes

Seconds Quick Start: Yes

ELECTRIC CONNECTION

Maximum Nominal Power (W): 1200

Frequency (Hz): 50

Power rate (V): 220 - 240

Cable Connection Length (cm): 110

Plug: Yes

ENERGY CONSUMPTION

Grill (W): 1000

Maxi Grill (W): 1000

SECURITY SYSTEM

Automatic disconnection when opening the door: Yes

Panel blocking system: Yes

Children safety block option: Yes

Safety Thermostat: Yes

ACCESSORIES

Glass Tray: 0

