



ML 8220 BIS Urban Colors Edition Built-in Microwave with ceramic base



Ceramic base



Defrost By Time



Defrost By Weight



Direct Access Menu



Electronic Door Opening



22L

DESCRIPTION

Urban Colors Edition Built-in Microwave with ceramic base

LIFE STYLE

Maestro

COLOURS



REFERENCE

REF. 112030001
EAN. 8434778007688

FEATURES

Urban Colors Edition
Built-in Microwave + Grill
Ceramic base with uniform heating
3 cooking functions
9 direct access menus
5 power levels, 2500 W
Grill power: 1200 W
Defrost by time and weight
Touch control display with knobs
Double glazed door with left opening
Electronic door opening
Automatic disconnection when open door
Incandescent inner light
Dropdown grill
Quick start
Capacity (gross/net): 22 / 21,56 litres
Stainless steel cavity
Crunch plate included
Tangential ventilation

DIMENSIONS

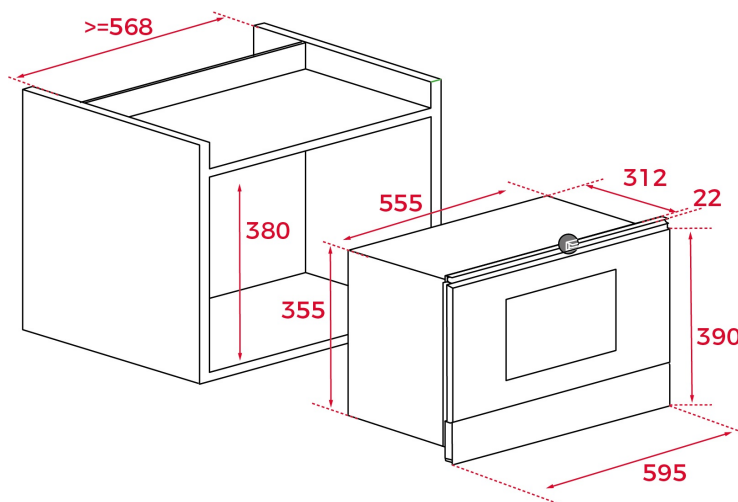
Product height (mm): 390

Product width (mm): 595

Product depth (mm): 334

Product length (mm):

Net weight (Kg): 22



TECH SPECS

PARTICULAR CHARACTERISTICS

Certificates: CE/CB/Gmark

Type of inner light: INCANDESCENT

Inside light position: RIGHT

Number of cooking functions: 3

Grill function: Yes

Drop-down grill: Yes

Number of guide levels (lower cavity): 0

Forced refrigeration tangential 1 speed: Yes

Microwave function: Yes

Microwave + Grill function: Yes

Number of power levels: 5

Minute Quick Start: Yes

Tangential ventilation: Yes

ELECTRIC CONNECTION

Maximum Nominal Power (W): 2500

Frequency (Hz): 50

Power rate (V): 220-240

Cable Connection Length (cm): 110

Plug: Yes

Inside light Consumption (W): 20

ENERGY CONSUMPTION

Grill (W): 1200

Maxi Grill (W): 1200

Cooling Fan Motor (W): 18

SECURITY SYSTEM

Automatic disconnection when opening the door: Yes

ACCESSORIES

Panel blocking system: Yes

Grill protection: Yes

Safety Thermostat: Yes

Crunch plate: YES

