



LP9 850 Free Standing Dishwasher for 14 place settings and third tray for cutlery



ECO function



MultiFlex-3,
with flexible
cutlery tray



Extra Dry
function



SmartSensor

DESCRIPTION

Free Standing Dishwasher for 14 place settings and third tray for cutlery

LIFE STYLE

Maestro

COLOURS



REFERENCE

REF. 40782501
EAN. 8421152153758

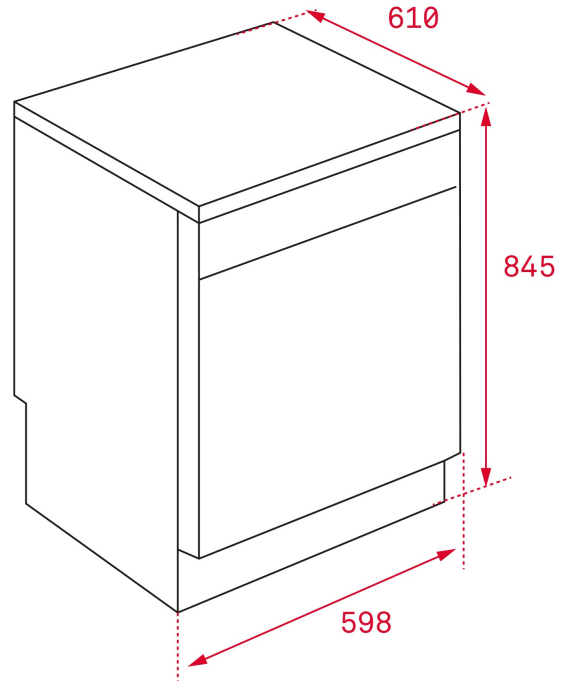


TEKA

LP9 850

FEATURES

Free-standing dishwasher
Electronic control panel with display
Place settings: 14
Multifunctional third cutlery basket
Third sprayer
Washing programs: 8
Washing temperatures: 40°, 45°, 50°, 55°, 60°, 65°C
Dual Half load
Fast program 30 minutes
Eco Program
Full AquaStop safety system
Delay timer 1-24 hours
Adjustable upper basket (push-up)
Energy Class: A+++/A
Noise level: 44 dBA



DIMENSIONS

Product height (mm): 845
Product width (mm): 598
Product depth (mm): 610
Product length (mm):
Net weight (Kg): 45,5

TECH SPECS

FITTING MEASURES

Maximum door height (mm): 707
Door width (mm): 587

PRODUCT SHEET

Capacity (Place Settings): 14
Energy consumption (kWh/year): 237
Power consumption (Kwh): 0,83
Water consumption (litres/year): 2800
Water consumption (litres): 10
Standard program: ECO
Standard cycle duration (minutes): 220
Noise level (dB): 44
Certificates: GS/CE/EMC/Rohs

POWER SUPPLY

Frequency (Hz): 50
Power rate (V): 220-240
Power rate (W): 1760-2100
Plug type: EU
Maximum Nominal Power (W): 2100

**PARTICULAR
CHARACTERISTICS**

Type of installation: Free standing
Control panel: Electronic buttons
Control panel display: Yes
Number of programs: 8
Number Of Washing Temperatures: 6
Aqua-Logic: Yes
Water softener: Yes
Microfilter: Yes

SECURITY SYSTEM

Internal Leakage Control: Yes
Aquastop: Yes

CONTROL INDICATOR LIGHTS

Low Salt Aid indicator: Yes
Low Rinse Aid indicator: Yes
Selected program indicator: Yes
Remaining time: Yes
End of program acoustic alarm: Yes
End of program visual alarm: Yes

SPECIAL FUNCTIONS

Soak/Prewash program: Yes
Economic program: Yes
Alternative wash (Zone Wash): Yes
Delayed Timer (h): 1-24 hours

EQUIPMENT

3rd Basket: Yes
3rd sprayer: Yes



LP9 850

ENERGY LABEL

