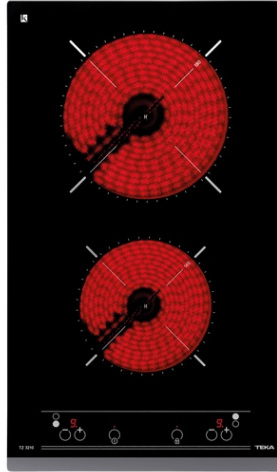




## TZ 3210 30cm Modular Vitroceramic Hob with 2 zones



Autolock



Easy  
installation  
system

### DESCRIPTION

30cm Modular Vitroceramic Hob with 2 zones

### LIFE STYLE

Easy

### COLOURS



### REFERENCE

REF. 40204360  
EAN. 8421152153468



**TEKA**

**TZ 3210**

**FEATURES**

Modular Vitroceramic hob

Touch Control

2 cooking zones:

1 high light Ø 145 mm

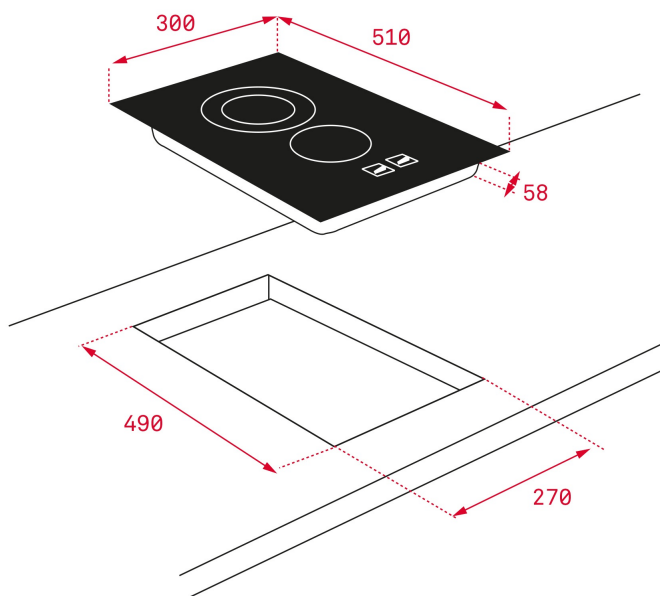
1 high light Ø180 mm

Child lock

Residual heat indicators

Optional junction kit

Maximum nominal power: 3.000 W



## DIMENSIONS

**Product height (mm):** 58  
**Product width (mm):** 300  
**Product depth (mm):** 510  
**Product length (mm):**  
**Net weight (Kg):** 4,26

## TECH SPECS

### FITTING MEASURES

**Built-in Width (mm):** 270  
**Built-in Depth (mm):** 490  
**Built-in height (mm):** 58

### PARTICULAR CHARACTERISTICS

**Number of electric power levels:** 9

### ELECTRIC CONNECTION

**Frequency (Hz):** 50/60  
**Power rate (V):** 220-240  
**Cable Connection Length (cm):** 110  
**Maximum Nominal Power (W) (Electric hob):** 3000

### COOKING ZONES

**Cooking Zones:** 2  
**Energy consumption for the whole hob, Wh/Kg:** 188,18

### SECURITY SYSTEM

**Residual heat indicator (Gas):** Yes  
**Residual heat indicator (Electric hob):** Yes

**Automatic safety disconnection (Auto Lock) (Electric hob):** Yes

**Safety Blocking:** Yes

**Child lock:** Yes

## **FINISH**

**Surface finishing:** Front bevelled glass

**Surface type:** Ceramic Glass (4mm)

**Easy installation system:** Yes

## **ACCESSORIES**

**Junction Kit:** Optional

**Teppan Yaki:** Optional

