



**MWR 22 BI** 22L Built-in Microwave with ceramic base



Ceramic base



Defrost by time



Electronic door opening



22L capacity

**DESCRIPTION**

22L Built-in Microwave with ceramic base

**LIFE STYLE**

Total

**COLOURS**



**REFERENCE**

REF. 40586302  
EAN. 8421152141014

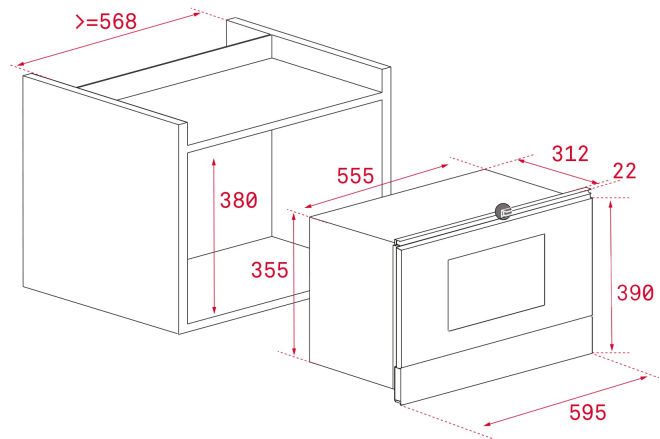


TEKA

MWR 22 BI

## FEATURES

Country Style Edition  
Ceramic base microwave + grill  
Electromechanical control  
Five power levels, 850 W out  
Stainless steel cavity  
Ceramic base with uniform heating  
Forced tangential ventilation  
Auto defrost by time



## DIMENSIONS

**Product height (mm):** 380/390  
**Product width (mm):** 595  
**Product depth (mm):** 334  
**Product length (mm):**  
**Net weight (Kg):** 21,6

## TECH SPECS

### PARTICULAR CHARACTERISTICS

**Certificates:** CE; CB; EAC  
**Type of inner light:** Incandescent  
**Inside light position:** RIGHT  
**Function selector:** MECHANICAL  
**Number of cooking functions:** 1  
**Knobs type:** 2 ROTATING MECHANICAL  
**Number of guide levels (lower cavity):** 0  
**Microwave function:** Yes  
**Microwave defrosting:** Yes  
**Number of power levels:** 5  
**Tangential ventilation:** Yes

### ELECTRIC CONNECTION

**Maximum Nominal Power (W):** 1400  
**Frequency (Hz):** 50  
**Power rate (V):** 220-240  
**Cable Connection Length (cm):** 150  
**Plug:** Yes  
**Inside light Consumption (W):** 20

**ENERGY CONSUMPTION**

**Cooling Fan Motor (W): 18**

**SECURITY SYSTEM**

**Automatic disconnection when opening the door: Yes**

**Safety Thermostat: Yes**

**ACCESSORIES**

**Glass Tray: 0**

