



**FORMENTERA FORMENTERA WASHBASIN MIXER WHITE**



**DESCRIPTION**

FORMENTERA WASHBASIN MIXER WHITE

**LIFE STYLE**

Formentera

**COLOURS**

**REFERENCE**

REF. 62346120BC  
EAN. 8413509215110



## FORMENTERA

### FEATURES

Without pop up waste

Constant optimized water consumption with a real water saving system.

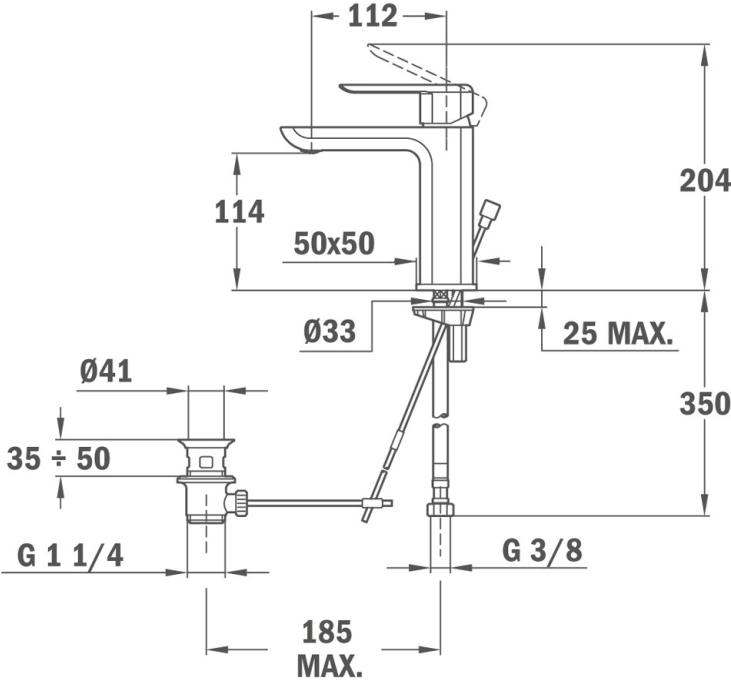
1/2" flexible inlet pipes

Anti-scale aerator

Quality Certification: ACS



FORMENTERA



**DIMENSIONS**

- Product height (mm):
- Product width (mm):
- Product depth (mm):
- Product length (mm):
- Net weight (Kg):

**TECH SPECS**

**MODELS**

Type of installation: Free standing  
Type of handle: Single lever

