



**DLV 985** Urban Colors Edition 90cm Vertical Hood with Contour Rim extraction system and Touch control display



LED lighting



Rim extraction



Stop delay timer

**DESCRIPTION**

Urban Colors Edition 90cm Vertical Hood with Contour Rim extraction system and Touch control display

**LIFE STYLE**

Maestro

**COLOURS**



**REFERENCE**

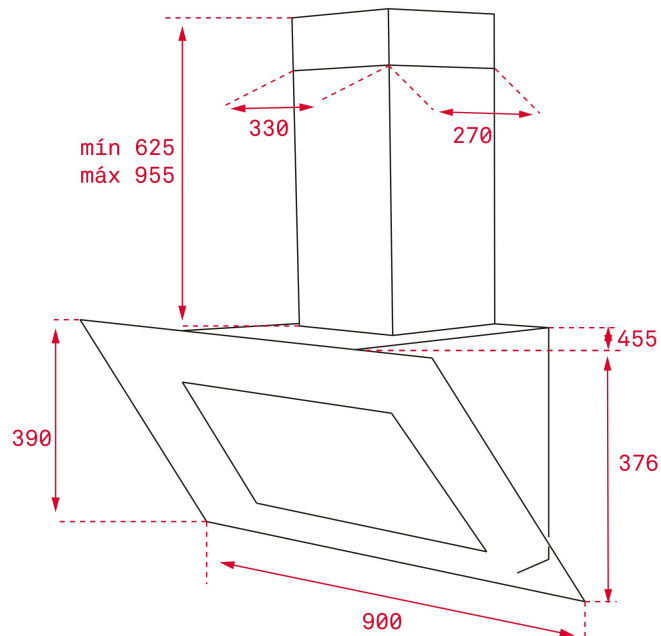
REF. 40437200  
EAN. 8421152145685

**FEATURES**

Urban Colors Edition  
Quadro vertical hood  
Double turbine motor ECOPOWER  
Extraction rim system "Contour"  
Digital control Touch Control with white display  
3 speeds + Intensive  
Saturation filters lighting indicator  
Exhaust capacity (\*): min.325 m<sup>3</sup>/h - max.782 m<sup>3</sup>/h  
Sound level (\*): min.54 dBA - máx.65 dBA  
LED light bar  
Stop delay timer  
Recirculation function optional (SET D10CTP)

## DIMENSIONS

**Product height (mm):** 800-1200  
**Product width (mm):** 900  
**Product depth (mm):** 450  
**Product length (mm):**  
**Net weight (Kg):** 20,27



## TECH SPECS

### PARTICULAR CHARACTERISTICS

**Certificates:** CE; CB; Rohs  
**Ø Outlet (mm):** 150  
**Type of inner light:** LED  
**Inside light Consumption (W):** 7  
**Plug type:** Schuko plug  
**Power rate (V):** 230  
**Frequency (Hz):** 50  
**Total hood power (W):** 287  
**Number of motors:** 1  
**Motor power (W):** 280

**EU REGULATION NO. 65/2014 &66/2104**

**Annual energy consumption AEC kWh/annum (kWh):** 55,5  
**Energy Efficiency Class:** A  
**Fluid Dynamic Efficiency (FDEhood):** 34,5  
**Fluid Dynamic Efficiency class:** A  
**Light Efficiency (Lehood) lux/Watt:** 41,7  
**Lighting Efficiency class:** A  
**Grease Filtering Efficiency class:** G  
**Air flow (Qmin) m3/h:** 325  
**Air flow (Qmax):** 614

**Air flow (Qboost):** 782  
**Noise (LwA) min. speed (dB):** 54  
**Noise (LwA) max. speed (dB):** 65  
**Noise (LwA) boost speed (dB):** 72  
**Off mode Power (Po) W:** 0,32  
**Energy Efficiency Index (EEI):** 50,5  
**Time increase factor:** 0,8  
**Air pressure at best efficiency point(Pbep) Pa:** 452  
**Electric power input at best efficiency point (Wbep) W:** 160,0  
**Nominal power of the lighting system (WL) W:** 12  
**Average illumination of the lighting system on the cooking surface (Emiddle) Lux:** 500

## ACCESSORIES

**Anti Return valve:** Yes  
**Outlet reduction:** Yes  
**Optional Charcoal Filter:** D4C  
**Charcoal filter description:** CHARCOAL FILTER D4C

## MODELS

**Number of filters:** 2  
**Filter description:** Glass panel; aluminum filter below  
**Control panel:** Touch control white display  
**Stop delay timer:** Yes  
**Filter saturation indicator:** Yes  
**Time clock:** Yes  
**Number of speeds:** 3+1

## PRODUCT INFORMATION SHEET - DELEGATED REGULATION (EU) 65/2014

**Supplier name or trademark:** TEKA  
**Model identifier:** DLV 985  
**Annual Energy Consumption:** 55,5  
**Energy Efficiency Class:** A  
**Fluid Dynamic Efficiency:** 34,5  
**Fluid Dynamic Efficiency class:** A  
**Lighting Efficiency:** 41,7  
**Lighting Efficiency class:** A  
**Grease Filtering Efficiency class:** G  
**Air flow (min speed normal use):** 325  
**Air flow (max speed normal use):** 614  
**Air flow (intensive or boost use):** 782  
**Airborne acoustical A-weighted sound power emissions (min speed normal use):** 54  
**Airborne acoustical A-weighted sound power emissions (max speed normal use):** 68  
**Airborne acoustical A-weighted sound power emissions (intensive or boost use):** 72  
**Power consumption in off mode (W):** 0,32  
**Power consumption in standby mode (W):** n.a



DLV 985

ENERGY LABEL

The image shows a standard European Energy Label for a Teka DLV 985 unit. At the top left is the European Union flag. To its right is the word "ENERG" in large blue letters, with "енергия · енергiя" in smaller text below it. Further right are two circular icons: one with "Y" and "A" and another with "IE" and "IA". Below this header, the brand name "Teka" is on the left and the model "DLV 985" is on the right. A vertical energy scale on the left shows levels A+, A, B, C, D, E, and F, each with a corresponding colored arrow. A black arrow points to the 'A' level. To the right of the scale, a box contains the number "68" and "kWh/annum". Below the scale are four icons: a fan, a lightbulb, water droplets, and a speaker. Each icon has a scale below it labeled "A B C D E F G". The bottom left corner of the label contains the text "65/2014" and the bottom right corner contains "1130175-1".