



MWR 22 BI 22L Built-in Microwave with ceramic base



Ceramic base



Defrost by time



Electronic door opening



22L capacity

DESCRIPTION

22L Built-in Microwave with ceramic base

LIFE STYLE

Total

COLOURS



REFERENCE

REF. 40586302
EAN. 8421152141014



TEKA

MWR 22 BI

FEATURES

Country Style Edition
Ceramic base microwave + grill
Electromechanical control
Five power levels, 850 W out
Stainless steel cavity
Ceramic base with uniform heating
Forced tangential ventilation
Auto defrost by time

DIMENSIONS

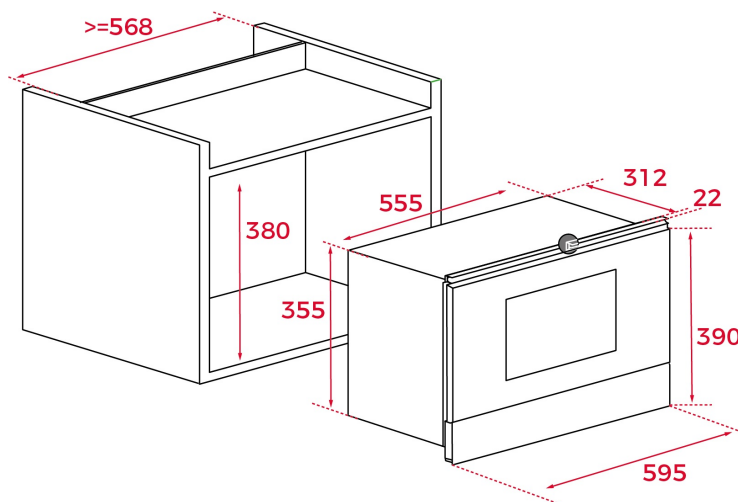
Product height (mm): 380/390

Product width (mm): 595

Product depth (mm): 334

Product length (mm):

Net weight (Kg): 21,6



TECH SPECS

FEATURES

Certificates: CE; CB; EAC

Type of inner light: Incandescent

Inside light position: RIGHT

Function selector: MECHANICAL

Number of cooking functions: 1

Knobs type: 2 ROTATING MECHANICAL

Number of guide levels (lower cavity): 0

Microwave function: Yes

Microwave defrosting: Yes

Number of power levels: 5

Tangential ventilation: Yes

ELECTRIC CONNECTION

Maximum Nominal Power (W): 1400

Frequency (Hz): 50

Power rate (V): 220-240

Cable Connection Length (cm): 150

Plug: Yes

Inside light Consumption (W): 20

ENERGY CONSUMPTION

Cooling Fan Motor (W): 18

SAFETY SYSTEMS

Automatic disconnection when opening the door: Yes

Safety Thermostat: Yes

