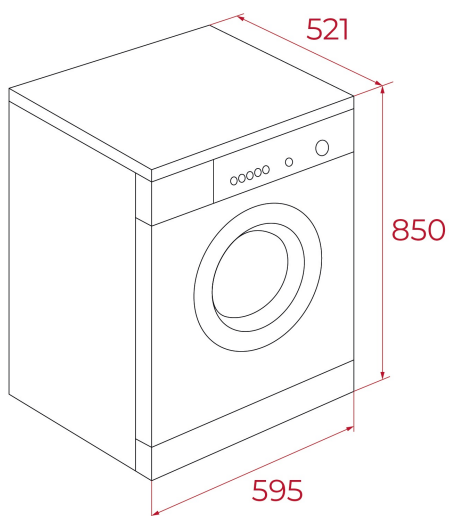


TEKA**WMK 70840 WH**

Quick
cycle
program



REFERENCE

REF: 113900016

EAN: 8434778032642

FEATURES

Free standing
Electronic control panel
Washing capacity: 8 kg
14 washing programs
Special programs: Fast: 15 minutes, ECO mode, Wool, Delicate, Sport, Cotton, BabyCare, Jeans, Sterilization
Special functions: Delay timer, Speed wash, Steam, Extra rinse, Prewash, DrumClean reminder, Mute, Soil level, Night wash, Memory
Maximum spinning speed: 1400 RPM
Automatic water regulation
Automatic door lock safety system
Child lock
Balance control system
SoftCare drum
33 cm wide porthole door

DIMENSIONS

Product height (mm): 850**Product width (mm):** 595**Product depth (mm):** 540**Product length (mm):****Net weight (Kg):** 63

TECH SPECS

Energy efficiency class (UE 2019/2016): A

Washing performance Class: /

Spinning efficiency class: B

Water consumption (litres/year): /

Noise Level (dBA): + 72

Power rate (V): 220-240 V~

Frequency (Hz): 50 Hz

COLORS

113900016 White