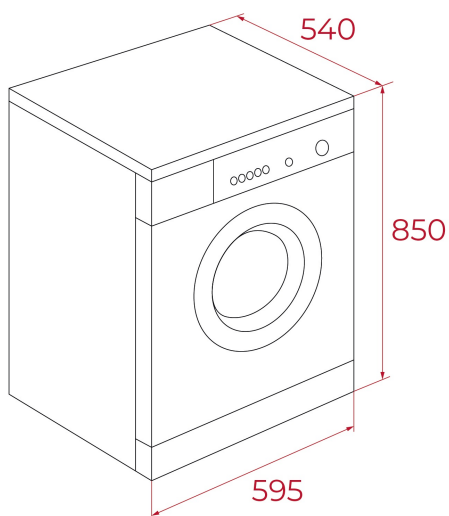


TEKA

WMK 70940 DSS



Quick  
cycle  
program



## REFERENCE

REF: 113900018

EAN: 8434778032666

## FEATURES

Free standing  
Electronic control panel  
Washing capacity: 9 kg  
14 washing programs  
Special programs: Fast: 15 minutes, ECO mode, Wool, Delicate, Cotton, BabyCare, Sterilization  
Special functions: Delay timer, Speed wash, Steam, Extra rinse, Prewash, DrumClean reminder, Mute, Soil level, Night wash, Memory  
Maximum spinning speed: 1400 RPM  
Automatic water regulation  
Automatic door lock safety system  
Child lock  
Balance control system  
33 cm wide porthole door

## DIMENSIONS

**Product height (mm):** 850

**Product width (mm):** 595

**Product depth (mm):** 540

**Product length (mm):**

**Net weight (Kg):** 65

## TECH SPECS

Energy efficiency class (UE 2019/2016): A

Washing performance Class: /

Spinning efficiency class: B

Water consumption (litres/year): /

Noise Level (dBA): + 72

Power rate (V): 220-240 V~

Frequency (Hz): 50 Hz

## COLORS