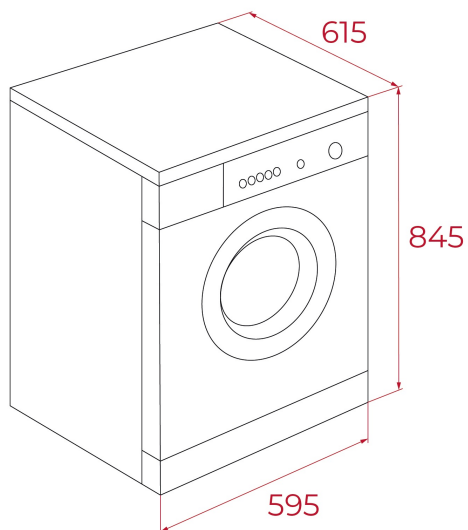


TEKA

SCK 70820



REFERENCE

REF: 114060005

EAN: 8434778031799

FEATURES

Free standing dryer
Condensed drying technology
Electronic control panel with display
Drying capacity: 8 kg
Drying programs: 14
ECO mode program
Wool care program
Easy iron program
Refresh program
Delay timer function
Delicate program
Drying level function
Child lock

DIMENSIONS

Product height (mm): 845

Product width (mm): 595

Product depth (mm): 615

Product length (mm):

Net weight (Kg): 41

TECH SPECS

Energy Efficiency Class: B

Energy Consumption (Kw/day): -

Drying Efficiency Class: B

Noise level drying (dB): 69

Power rate (V): 220-240

Frequency (Hz): 50Hz

COLORS

114060005 White