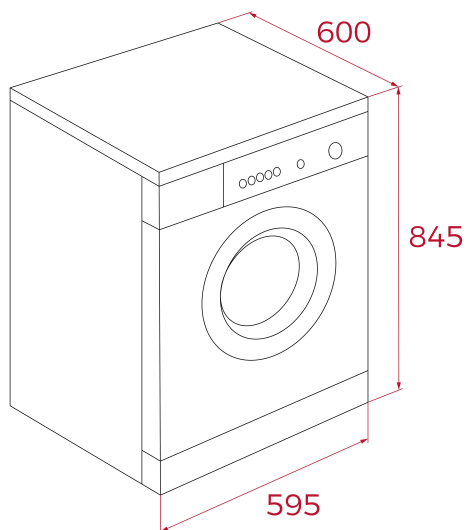


TEKA

SHK 70840 WH



## REFERENCE

REF: 114060008

EAN: 8434778032703

## FEATURES

- Free standing dryer
- Condensed heat pump drying technology
- Electronic control panel with display
- Drying capacity: 8 kg
- Drying programs: 14
  - ECO mode program
  - Wool care program
  - Baby Care program
  - Refresh program
  - Delay timer function
  - Delicate program
  - Drying level function
  - SoftCare drum
- Child lock

## DIMENSIONS

**Product height (mm):** 845

**Product width (mm):** 595

**Product depth (mm):** 600

**Product length (mm):**

**Net weight (Kg):** 41

## TECH SPECS

Energy Efficiency Class: D

Energy Consumption (Kw/day): -

Drying Efficiency Class: B

Noise level drying (dB): 65

Power rate (V): 220-240

Frequency (Hz): 50Hz

## COLORS

114060008 White