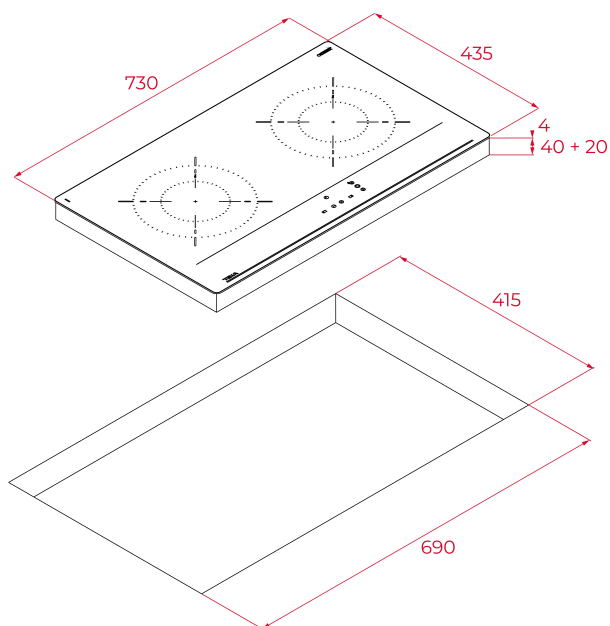


Easy
installation
system



REFERENCE

REF: 112540011

EAN: 8434778026559

FEATURES

Vitroc ceramic hob
Touch Control
2 cooking zones
2 high lights \varnothing 300/190 mm
Ceramic glass surface
Easy installation kit
Maximum nominal power: 4200W

DIMENSIONS

Product height (mm): 51

Product width (mm): 730

Product depth (mm): 435

Product length (mm):

Net weight (Kg): 8,4

TECH SPECS

Power rate (V): 220-240

Frequency (Hz): 50/60

Maximum Nominal Power (W): 4200

COLORS



112540011 Black

ENERGY EFFICIENCY

Power consumption in standby mode (W): -

Time to reach standby mode (min): -