



CC 485 40cm Tubular Island Hood Design With Touch Control And ECOPOWER Motor



LED lighting



Stop delay timer

DESCRIPTION

40cm Tubular Island Hood Design With Touch Control And ECOPOWER Motor

LIFE STYLE

Maestro

COLORS

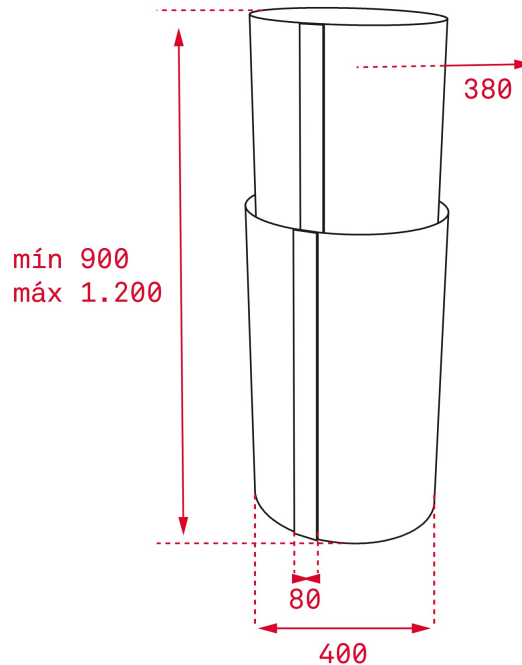


REFERENCE

REF. 40480330
EAN. 8421152145869

FEATURES

Tubular Island Hood
ECOPOWER Motor
Energy Efficiency Class: A
Touch Control Panel
White Digital Display
3 Speeds + 1 Intensive
Exhaust Capacities:
Free Outlet, M³/H: 920
Qboost, M³/H: 771
Max., M³/H: 525
Min., M³/H: 305
Noise (Lwa) Boost Speed, db: 78
Noise (Lwa) Max Speed, db: 72
Noise (Lwa) Min Speed, db: 50
2 LED Lamps
1 Stainless Steel Filter
Stop Delay Timer
Filter Saturation Indicator



DIMENSIONS

Product height (mm): 900-1200
Product width (mm): 400
Product depth (mm): 400
Product length (mm):
Net weight (Kg): 21,5

TECH SPECS

PARTICULAR CHARACTERISTICS

Type of hood: Island
Style: Decoratives
Certificates: CE; CB
Ø Outlet (mm): 150
Inside light Consumption (W): 3
Plug type: European plug
Power rate (V): 220240
Frequency (Hz): 50
Total hood power (W): 286
Number of motors: 1
Motor power (W): 280
Exhaust Capacity - Free Outlet (m3/h): 920

**EU REGULATION NO. 65/2014
&66/2104**

Annual energy consumption AEC kWh/annum (kWh): 44,7
Energy Efficiency Class: A
Fluid Dynamic Efficiency (FDEhood): 32,2
Fluid Dynamic Efficiency class: A
Light Efficiency (Lehood) lux/Watt: 87,3
Lighting Efficiency class: A
Grease Filtering Efficiency class: C

Air flow (Qmin) m³/h: 305
Air flow (Qmax): 525
Air flow (Qboost): 771
Noise (LwA) Min Speed (dB): 50
Noise (LwA) Max Speed (dB): 72
Noise (LwA) boost speed (dB): 78
Off mode Power (Po) W: 0,00
Standby Power (Ps) W: 0,74
Energy Efficiency Index (EEI): 47,3
Time increase factor: 0,8
Electric power input at best efficiency point (Wbep) W: 138,2
Nominal power of the lighting system (WL) W: 6
Average illumination of the lighting system on the cooking surface (Emiddle) Lux: 524

ACCESSORIES

Anti Return valve: Yes
Outlet reduction: Yes
Conventional recirculation kit (with tube cover): 40490148

MODELS

Number of filters: 1
Stop delay timer: Yes
Filter saturation indicator: Yes
Number of speeds: 3+1



CC 485

ENERGY LABEL

The image shows a standard European Energy Label for a TEKA CC 485 INOX refrigerator. The label is rectangular with a blue border and contains the following information:

- Header:** The European Union flag, the word "ENERG" in large letters, and "енергия · енергiя" in smaller letters below it. To the right are two circular icons: one with "Y IJA" and another with "IE IA".
- Model:** "TEKA" on the left and "CC 485 INOX" on the right.
- Energy Efficiency Scale:** A vertical bar on the left shows seven energy efficiency classes from A+ (top, green) to F (bottom, red). A black arrow on the right points to class "A".
- Annual Energy Consumption:** A box on the right contains the number "45" and "kWh/annum" below it.
- Icons and Labels:** Four icons are arranged in a row: a fan (noise), a lightbulb (energy consumption), water droplets (water consumption), and a speaker (noise). Below each icon is a label with a scale: "A B C D E F", "A B C D E F", "A B C D E F", and "72 dB".
- Reference:** "65/2014" is printed at the bottom left.