



CLC 835 MC Built-In Multi-Capsule Coffee Machine With Digital Display



Fingerprint-
Proof



Capsules



Ground coffee

DESCRIPTION

Built-In Multi-Capsule Coffee Machine With Digital Display

LIFE STYLE

Maestro

COLORS



REFERENCE

REF. 40589513
EAN. 8421152145616

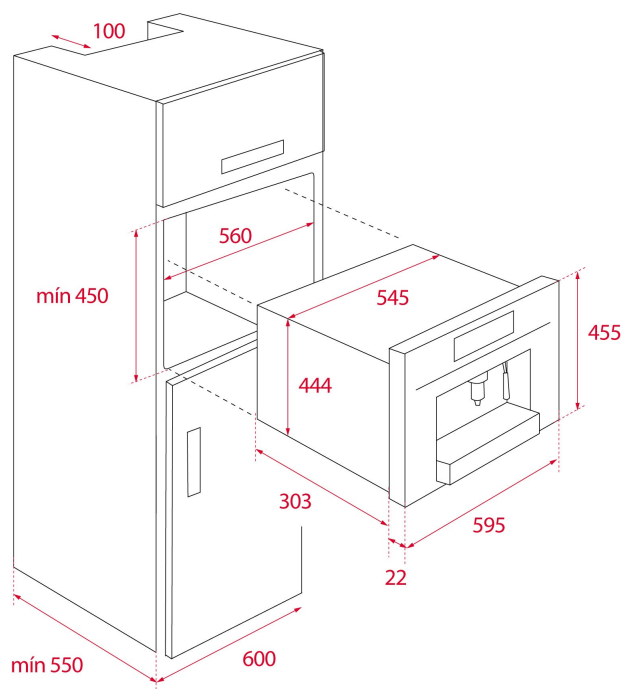


TEKA

CLC 835 MC

FEATURES

Multi Capsule (*) And Ground Coffee Machine
Coffee Selector (Small/Medium/Large/Extra Large-Infusions)
Electronic Control Panel With TFT Display
5 Adapters Included
Automatic LED Lights
Capacity: 1 Cup
Adjustable Height Cup Support
Temperature Selector
Storage Drawer
2 Side Storage Compartments
Drip Tray
19 Bar Pump Pressure
1 Litre Water Tank
Waste Container
Automatic Decalcifier



DIMENSIONS

Product height (mm): 455

Product width (mm): 595

Product depth (mm): 330

Product length (mm):

Net weight (Kg): 18,7

TECH SPECS

PARTICULAR CHARACTERISTICS

Type of installation: Built-in

Certificates: CE/CB

Pump pressure (Bar): 19

Fingerprint proof: Yes

Number of cups: 1

Retractable pipe for steam and hot water: Yes

Grinded coffee: Yes

Coffee capsules: Yes

On/Off function: Yes

Steamer: Yes

Hot Water: Yes

Coffee temperatures: Yes

Selected function indicator: Yes

Full water tank indicator: Yes

