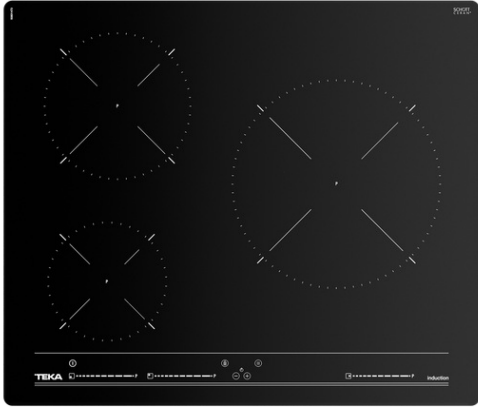




IB 6310 60cm Induction Hob with 3 zones and MultiSlider Touch Control



MultiSlider, for independent control of each cooking zone



Autolock



Power function



Power Plus function



Easy installation system

DESCRIPTION

60cm Induction Hob with 3 zones and MultiSlider Touch Control

LIFE STYLE

Easy

COLOURS



REFERENCE

REF. 10210157
EAN. 8421152148013

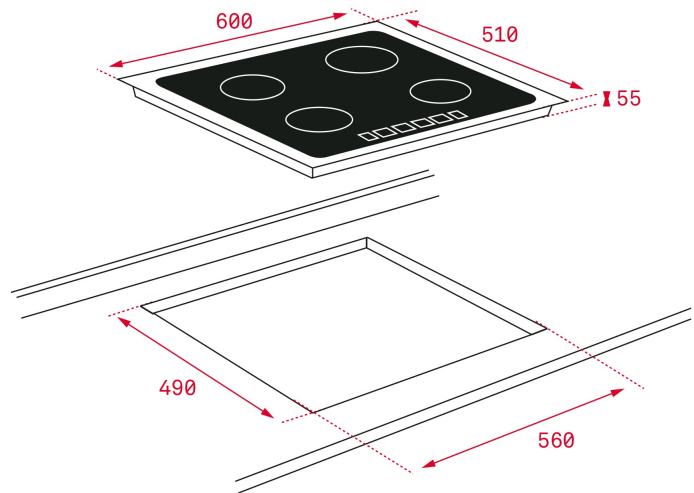


TEKA

IB 6310

FEATURES

Induction hob
MultiSlider touch control
Cooking timer
3 cooking zones:
- 1 induction Ø 260 mm
- 1 induction Ø 180 mm
- 1 induction Ø 145 mm
Power Plus function
Child lock
Stop & Go function
Silence mode
Residual heat indicators
Maximum nominal power : 5.900 W



DIMENSIONS

Product height (mm): 50
Product width (mm): 600
Product depth (mm): 510
Product length (mm):
Net weight (Kg): 10,7

TECH SPECS

FITTING MEASURES

Built-in Width (mm): 560
Built-in Depth (mm): 490
Built-in Height (mm): 50

PARTICULAR CHARACTERISTICS

Number of electric power levels: 9
Power management function: Yes

ELECTRIC CONNECTION

Frequency (Hz): 50/60
Power rate (V): 220-240
Cable Connection Length (cm): 110
Maximum Nominal Power (W) (Electric hob): 5900

COOKING ZONES

Cooking Zones: 3
Left rear cooking zone - Diameter (mm): 180
Left rear cooking zone - Type: Single Zone
Left rear cooking zone - Consumption (W): 1700 - 2100
Left front cooking zone - Diameter (mm): 145

Left front cooking zone - Type: Single Zone
Left front cooking zone - Consumption (W): 1200 - 1500
Right center cooking zone - Diameter (mm): 260
Right center cooking zone - Type: Single Zone
Right center cooking zone - Consumption (W): 2000 - 2300

SECURITY SYSTEM

Residual heat indicator (Gas): Yes
Residual heat indicator (Electric hob): Yes
Automatic safety disconnection (Auto Lock) (Electric hob): Yes
Safety Blocking: Yes
Child lock: Yes

FINISH

Surface finishing: C-edged glass
Surface type: Ceramic Glass (4mm)
Easy installation system: Yes

ACCESSORIES

Junction Kit: NO
Teppan Yaki: Optional

