



TGI2 120 D 82cm A+ Built-in Freezer



Easy 90,
opening on its
own axis for a
perfect
installation

DESCRIPTION

82cm A+ Built-in Freezer

LIFE STYLE

Total

COLOURS



REFERENCE

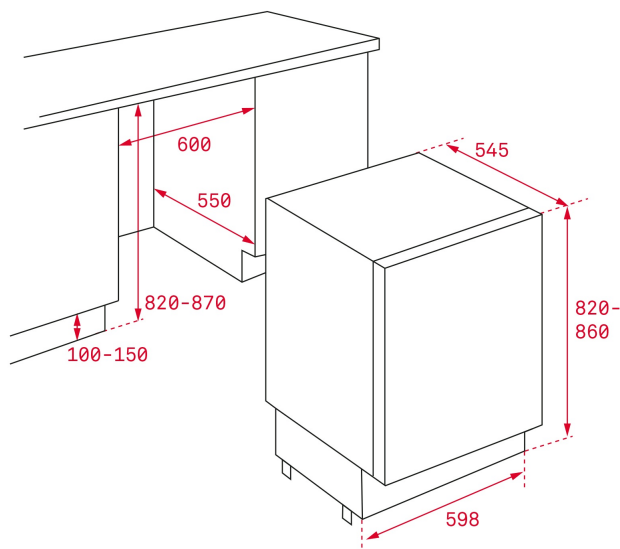
REF. 40694000
EAN. 8421152084915



TGI2 120 D

FEATURES

Built-under freezer
Electronic control panel
4* freezer
3 freezer drawers
Door on door installation
Reversible door
Energy Class: A+
Climate Class: SN-T
Noise level: 39 dBA
Total gross capacity: 96 litres
Net capacity: 87 litres



DIMENSIONS

Product height (mm): 818
Product width (mm): 595
Product depth (mm): 545
Product length (mm):
Net weight (Kg): 31

TECH SPECS

FITTING MEASURES

Built-in niche (cm): 82

PRODUCT SHEET

Cooling system: Defrost
Total gross capacity (litres): 96
Freezer compartment capacity (litres): 87
Freezer classification: 4
Freezing capacity: 6
Annual Consumption (kWh/year): 183
Temperature Rise Time (h): 19
Climate class: SN/T
Noise level (dB): 42

POWER SUPPLY

Frequency (Hz): 50
Power rate (V): 230
Power rate (W): 75
Energy consumption (kw/day): 0,501
Plug type: European
Cable Connection Length (cm): 193

**PARTICULAR
CHARACTERISTICS**

Type of installation: Built-in
Electronic control: Yes
Control panel: Electronic
Electronic adjustable thermostat: Yes
Antibacterial treatment: NO
Fast freezing: Yes
Reversible doors: Yes

CONTROL INDICATOR LIGHTS

Operating light freezer: Yes
Fast freezing indicator: Yes

EQUIPMENT

Antibacterial gasket: Yes
Ice cubes tray: 1
Adjustable feet front: Yes

**PRODUCT INFORMATION
SHEET (UE) 2019/2016**

Supplier name or trademark: TEKA
Supplier's address:
Model identifier: NA

Type of refrigerating appliance

Low-noise appliance:
Design type: NA
Wine storage appliance:
Other refrigerating appliance:

Overall dimensions (mm)

Height: NA
Width: NA
Depth: NA
Total volume (dm³ or l): NA
Energy efficiency class: NA
Airborne acoustical noise emissions (dB(A) re 1 pW):
Airborne acoustical noise emission class: NA
Annual energy consumption (kWh/a): NA
Climate class: SN/T
Minimum ambient temperature (°C), for which the refrigerating appliance is suitable:
Maximum ambient temperature (°C), for which the refrigerating appliance is suitable:
Winter setting:
Compartment 1:
Compartment 1 - Compartment Volume (l):
Compartment 1 - Recommended temperature setting for optimised food storage (°C):
Compartment 1 - Freezing capacity (kg/24h):
Compartment 1 - Defrosting type:
Compartment 1 - Target temperature (°C):
Compartment 1 - Thermodynamic parameter (rc):
Compartment 1 - Nc:
Compartment 1 - Mc:
Compartment 1 - Defrost factor (Ac):
Compartment 1 - Built-in factor (Bc):
Compartment 2:
Compartment 2 - Compartment Volume (l):
Compartment 2 - Recommended temperature setting for optimised food storage (°C):
Compartment 2 - Freezing capacity (kg/24h):
Compartment 2 - Defrosting type:
Compartment 2 - Target temperature (°C):
Compartment 2 - Thermodynamic parameter (rc):

Compartment 2 - Nc:
Compartment 2 - Mc:
Compartment 2 - Defrost factor (Ac):
Compartment 2 - Built-in factor (Bc):
Compartment 3:
Compartment 3 - Compartment Volume (I):
Compartment 3 - Recommended temperature setting for optimised food storage (°C):
Compartment 3 - Freezing capacity (kg/24h):
Compartment 3 - Defrosting type:
Compartment 3 - Target temperature (°C):
Compartment 3 - Thermodynamic parameter (rc):
Compartment 3 - Nc:
Compartment 3 - Mc:
Compartment 3 - Defrost factor (Ac):
Compartment 3 - Built-in factor (Bc):
Compartment 4:
Compartment 4 - Compartment Volume (I):
Compartment 4 - Recommended temperature setting for optimised food storage (°C):
Compartment 4 - Freezing capacity (kg/24h):
Compartment 4 - Defrosting type:
Compartment 4 - Target temperature (°C):
Compartment 4 - Thermodynamic parameter (rc):
Compartment 4 - Nc:
Compartment 4 - Mc:
Compartment 4 - Defrost factor (Ac):
Compartment 4 - Built-in factor (Bc):
Compartment 5 - Type:
Compartment 5 - Compartment Volume (I):
Compartment 5 - Recommended temperature setting for optimised food storage (°C):
Compartment 5 - Freezing capacity (kg/24h):
Compartment 5 - Defrosting type:
Compartment 5 - Target temperature (°C):
Compartment 5 - Thermodynamic parameter (rc):
Compartment 5 - Nc:
Compartment 5 - Mc:
Compartment 5 - Defrost factor (Ac):
Compartment 5 - Built-in factor (Bc):

Light source parameters

Light source - Type of light source: NA
Light source - Energy efficiency class: NA
Minimum duration of the guarantee offered by the manufacturer (b):

Additional information:

Weblink to the manufacturer's website, where the information in point 4(a) Annex of Commission Regulation (EU) 2019/2019 (1) (b) is found:
(a) as determined in accordance with Commission Delegated Regulation (EU) 2019/2015 (2).

(b) changes to these items shall not be considered relevant for the purposes of point 4 of Article 4 of Regulation (EU) 2017/1369.

(c) if the product database automatically generates the definitive content of this cell the supplier shall not enter these data.

(1) Commission Regulation (EU) 2019/2019 of 1 October 2019 laying down ecodesign requirements for refrigerating appliances pursuant to Directive 2009/125/EC of the European Parliament and of the Council and repealing Commission Regulation (EC) No 643/2009 (see page 187 of this Official Journal).(2)

(2) Commission Delegated Regulation (EU) 2019/2015 of 11 March 2019 supplementing Regulation (EU) 2017/1369 of the European Parliament and of the Council with regard to energy labelling of light sources and repealing Commission Delegated Regulation (EU) No 874/2012 (see page 68 of this Official Journal).



TGI2 120 D

ENERGY LABEL

The energy label for the TEKA TGI2 120 D is a vertical rectangular sticker. At the top left is the European Union flag. To its right, the word "ENERG" is written in large blue letters, with "енергия" in Cyrillic and "energia" in Latin below it. Further right are four small circular icons: a 'Y' in a circle, 'UEA' in a circle, 'IE' in a circle, and 'IA' in a circle. Below this header, the TEKA logo is on the left and the model number "TGI2 120 D" is on the right. A central energy efficiency scale consists of seven horizontal bars of increasing length, colored from dark green at the top to dark red at the bottom, labeled A+++ through D. A black arrow points to the A+ bar. Below the scale, the text "ENERGIA - ЕНЕРГІЯ", "ENERGIA - ENERGIA", and "ENERGY - ENERGIE - ENERGI" is listed. To the right of this text, the number "183" is displayed in a large font, with "kWh/annum" written below it. At the bottom of the label, there are three icons: a water tap with "1L" below it, a snowflake with "87 L" below it, and a speaker with "42 dB" below it. The number "2010/1066" is printed at the very bottom left corner.