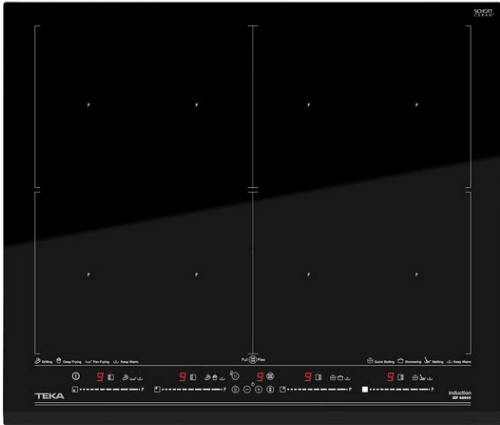




# IZF 68600 MSP 60cm DirectSense with FullFlex Induction with temperature sensors



MultiSlider, for independent control of each cooking zone



Autolock



Power function



Power Plus function



Easy installation system



Flex zone

### DESCRIPTION

60cm DirectSense with FullFlex Induction with temperature sensors

### LIFE STYLE

Maestro

### COLOURS

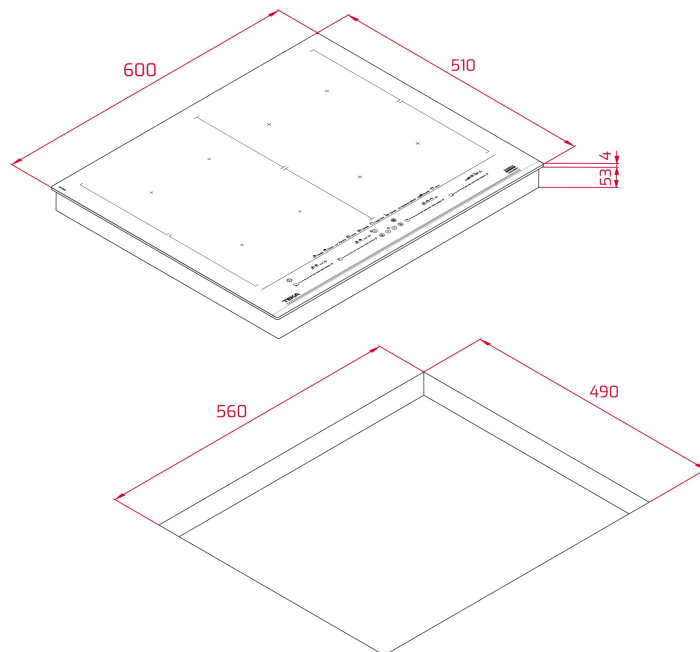


### REFERENCE

REF. 112500005  
EAN. 8434778000979

**FEATURES**

FLEX DirectSense Full Flex induction system  
Touch Control Multislider, with safety lock  
Cooking time programmer  
8 induction zones (4 + 3 Flex combined + Full Flex)  
-4 zones of 263 x 195 mm  
-3 Flex zones of 263 x 390 mm  
-1 Full Flex zone of 525 x 390 mm (285 x185 + 285 x185)  
Direct functions with temperature sensor:  
Grilling, Deep frying, Pan frying, Keep warm, QuickBoiling,  
Simmering and Melting  
Power Plus function  
Stop & GO function / Silence mode  
Optimised pan shape & size system  
Fast-Click easy installation  
Max. (nominal) power: 7.400 W



## DIMENSIONS

**Product height (mm):** 57  
**Product width (mm):** 600  
**Product depth (mm):** 510  
**Product length (mm):**  
**Net weight (Kg):** 13,21

## TECH SPECS

### FITTING MEASURES

**Built-in Width (mm):** 560  
**Built-in Depth (mm):** 490  
**Built-in Height (mm):** 53

### PARTICULAR CHARACTERISTICS

**Number of electric power levels:** 9  
**Grilling:** Yes  
**Pan frying:** Yes  
**Deep frying:** Yes  
**Quick Boiling:** Yes  
**Simmering:** Yes  
**Melting:** Yes  
**Keeping warm:** Yes  
**Power management function:** Yes

### ELECTRIC CONNECTION

**Frequency (Hz):** 50/60  
**Power rate (V):** 220-240  
**Cable Connection Length (cm):** 110  
**Maximum Nominal Power (W) (Electric hob):** 7400

## COOKING ZONES

**Cooking Zones:** 4

**Left rear cooking zone - Diameter (mm):** 262,5 X 195

**Left rear cooking zone - Pan detection (mm):** Ø 80

**Left rear cooking zone - Type:** Flex Zone

**Left front cooking zone - Diameter (mm):** 262,5 X 195

**Left front cooking zone - Pan detection (mm):** Ø 80

**Left front cooking zone - Type:** Flex Zone

**Center rear cooking zone - Pan detection (mm):** No

**Center rear cooking zone - Consumption in Wh/Kg (EU 66/2014):** No

**Center front cooking zone - Pan detection (mm):** No

**Center front cooking zone - Consumption in Wh/Kg (EU 66/2014):** No

**Right rear cooking zone - Pan detection (mm):** Ø 80

**Right rear cooking zone - Type:** Flex Zone

**Right front cooking zone - Diameter (mm):** 262,5 X 195

**Right front cooking zone - Pan detection (mm):** Ø 80

**Right front cooking zone - Type:** Flex Zone

## SECURITY SYSTEM

**Residual heat indicator (Electric hob):** Yes

**Automatic safety disconnection (Auto Lock) (Electric hob):** Yes

**Safety Blocking:** Yes

**Child lock:** Yes

## FINISH

**Surface finishing:** Front bevelled glass

**Surface type:** Ceramic Glass (4mm)

**Easy installation system:** Yes

## ACCESSORIES

**Junction Kit:** NO

**Teppan Yaki:** Optional

