

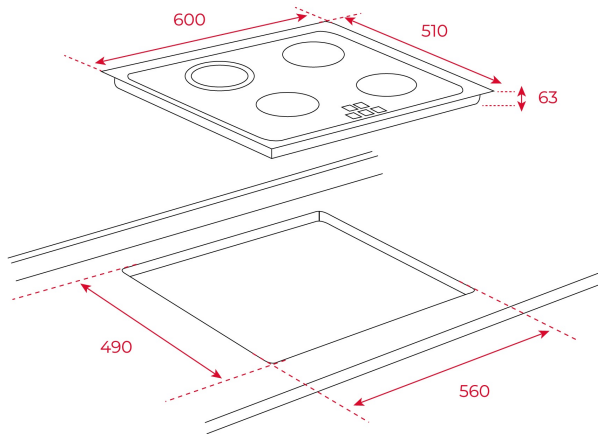
Autolock



Power Plus



Easy installation



REFERENCE

REF: 40239011

EAN: 8421152148150

FEATURES

Vitreoceramic hob
 Touch Control
 3 cooking zones
 1 high lights Ø 210/270 mm
 1 high lights Ø 120/180 mm
 1 high lights Ø 145 mm
 Ceramic glass surface
 Auto-lock safety system
 Power plus
 Child lock
 Residual heat indicator
 Easy installation kit
 Maximum nominal power 5600 W
 Optional: Grilling plate
 Optional: Teppanyaki

DIMENSIONS

Product height (mm): 51

Product width (mm): 605

Product depth (mm): 515

Product length (mm):

Net weight (Kg): 8,7

TECHNICAL DETAILS

Power rate (V): 220-240

Frequency (Hz): 50/60

Maximum Nominal Power (W): -

COLOURS



40239011

Black glass

ENERGY EFFICIENCY

Power consumption in standby mode (W): -

Time to reach standby mode (min): -