



EWH 100 Water heater with vertical installation and 100L capacity



Dry Heating Protection



Humidity Control



Overheating Protection

DESCRIPTION

Water heater with vertical installation and 100L capacity

LIFE STYLE

Easy

COLOURS



REFERENCE

REF. 42080100
EAN. 8421152069424



TEKA

EWH 100

FEATURES

Capacity: 100 litres
Sapphire enamelled tank
Sapphire heating element
Electrolytic muff
Regulation of temperature: 30-75 °C
Pressure valve > 5 bar
Max. Input temperature: 0,75Mpa
Thermometer
Anti Over-pressure protection
Overheat protection
Anti Dry-heating Protection
Waterproof Grade: IPX4
Rated power output 1500 W
Thickness of insulation: 20mm
Water connection: G½
Average number of users : 1-2/2-3/2-4/3-5

DIMENSIONS

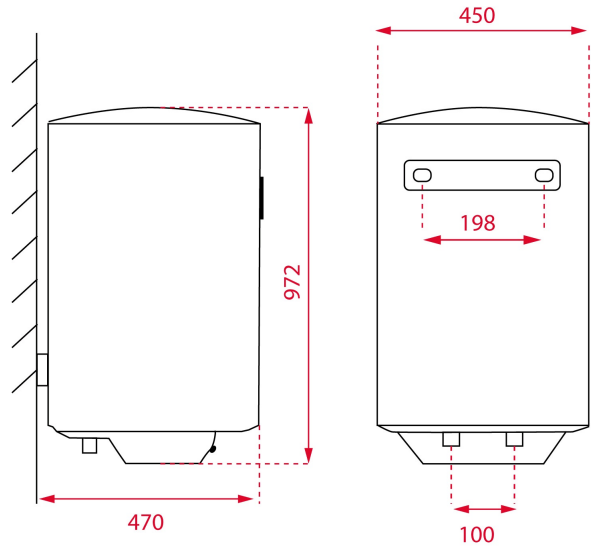
Product height (mm): 961

Product width (mm): 450

Product depth (mm): 450

Product length (mm):

Net weight (Kg): 29,58



TECH SPECS

PARTICULAR CHARACTERISTICS

Power rate (V): 220-240

Frequency (Hz): 50

Power rate (W): 1.500

Plug type: EU

Type of installation: Vertical

Certificates: CE;CB

Average number of users: 3-5

Control panel: Mechanical

Number of power levels: 1

Maximum input pressure (Mpa): 0,75

Sapphire Enamelled Steel Tank: Yes

Magnesium protection anode: Yes

Heating element indicator lamp: Yes

Thermometer: Yes

Insulation thickness (mm): 20

Degree of protection against humidity: IPX4

Protection against heating: Yes

Dry heating protection: Yes

EU REGULATION NO.
812/2013

Declared load profile: M

Water heating energy efficiency class: C

Annual energy consumption AEC kWh/annum (kWh): 1401,00

Sound power level L WA (dB): 15

**EU REGULATION NO.
814/2013**

Storage Volume V L (L): 100



EWH 100

ENERGY LABEL

