



CNL 6610 60cm Pull-out Hood with Finger Print Proof front panel and 2+1 speeds



LED



Stop Delay
Timer

DESCRIPTION

60cm Pull-out Hood with Finger Print Proof front panel and 2+1 speeds

LIFE STYLE

Total

COLOURS

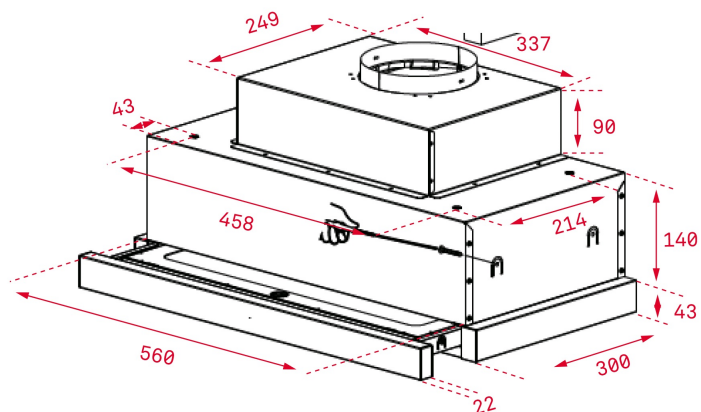


REFERENCE

REF. 40436830
EAN. 8421152146231

FEATURES

Pull-out hood
Electronic control panel
2+1 speeds
Exhaust capacities:
Free Outlet, m³/h: 745
Qboost, m³/h: 694
Max., m³/h: 445
Min., m³/h: 330
Noise (LwA) Boost Speed, dB: 70,1
Noise (LwA) Max Speed, dB: 62,6
Noise (LwA) Min Speed, dB: 59,8
3 LED lamps
4 aluminium filters
Reinforced Black Glass upper structure
Automatic Lighting
Exchangeable Front Panel
Finger Print Proof Front Panel



DIMENSIONS

Product height (mm): 274

Product width (mm): 600

Product depth (mm): 300/490

Product length (mm):

Net weight (Kg): 8,33

TECH SPECS

PARTICULAR CHARACTERISTICS

Type of hood: Pull-out

Style: Integrated

Certificates: CE; CB; Rohs

Ø Outlet (mm): 150

Type of inner light: LED

Inside light Consumption (W): 1,5

Plug type: European plug

Power rate (V): 230

Frequency (Hz): 50

Total hood power (W): 233

Number of motors: 1

Motor power (W): 230

Exhaust Capacity - Free Outlet (m3/h): 745

**EU REGULATION NO. 65/2014
&66/2104**

Annual energy consumption AEC kWh/annum (kWh): 105,9

Energy Efficiency Class: C

Fluid Dynamic Efficiency (FDEhood): 17,2

Fluid Dynamic Efficiency class: D

Light Efficiency (Lehood) lux/Watt: 42,7

Lighting Efficiency class: A

Grease Filtering Efficiency class: D
Air flow (Qmin) m3/h: 330
Air flow (Qmax): 445
Air flow (Qboost): 694
Noise (LwA) Min Speed (dB): 60
Noise (LwA) Max Speed (dB): 63
Noise (LwA) boost speed (dB): 70
Energy Efficiency Index (EEI): 82,4
Time increase factor: 1,4
Electric power input at best efficiency point (Wbep) W: 203,0
Nominal power of the lighting system (WL) W: 3
Average illumination of the lighting system on the cooking surface (Emiddle) Lux: 128

ACCESSORIES

Anti Return valve: Yes
Outlet reduction: Yes
Optional Charcoal Filter: D4C
Charcoal filter description: CHARCOAL FILTER D4C

MODELS

Number of filters: 2
Filter description: Aluminum
Control panel: Electronic
Stop delay timer: Yes
Automatic lighting: Yes
Number of speeds: 2+1
Fingerprint proof front panel: Yes

PRODUCT INFORMATION SHEET - DELEGATED REGULATION (EU) 65/2014

Supplier name or trademark: TEKA
Model identifier: CNL 6610
Annual Energy Consumption: 105,9
Energy Efficiency Class: C
Fluid Dynamic Efficiency: 17,2
Fluid Dynamic Efficiency class: D
Lighting Efficiency: 42,7
Lighting Efficiency class: A
Grease Filtering Efficiency class: D
Air flow (min speed normal use): 330
Air flow (max speed normal use): 445
Air flow (intensive or boost use): 694
Airborne acoustical A-weighted sound power emissions (min speed normal use): 60
Airborne acoustical A-weighted sound power emissions (intensive or boost use): 70
Power consumption in off mode (W): n.a
Power consumption in standby mode (W): n.a



CNL 6610

ENERGY LABEL

