



DSS 785 70cm Pyramidal Decorative Hood with electronic controls and ECOPOWER motor



LED



Stop Delay
Timer

DESCRIPTION

70cm Pyramidal Decorative Hood with electronic controls and ECOPOWER motor

LIFE STYLE

Total

COLOURS



REFERENCE

REF. 40437000
EAN. 8421152145647

FEATURES

Pyramidal decorative hood

EcoPower motor

Energy Efficiency class: A

Illuminated push buttons

Operating Pilot Light

3 speeds + 1 intensive

Exhaust capacities:

Free Outlet, m³/h: 792

Qboost, m³/h: 760

Max., m³/h: 597

Min., m³/h: 303

Noise (LwA) Boost Speed, dB: 72,5

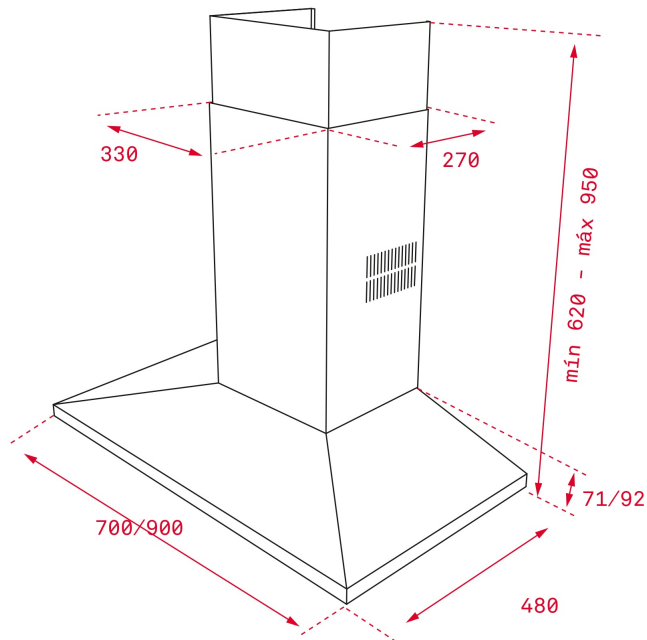
Noise (LwA) Max Speed, dB: 68,2

Noise (LwA) Min Speed, dB: 53,7

1 LED bar

3/2 Stainless Steel filters MMX

Stop delay timer



DIMENSIONS

Product height (mm): 700-1100

Product width (mm): 700

Product depth (mm): 480

Product length (mm):

Net weight (Kg): 13,49

TECH SPECS

PARTICULAR CHARACTERISTICS

Type of hood: Pyramidal

Style: Decoratives

Certificates: CE; CB; Rohs

Ø Outlet (mm): 150

Type of inner light: LED

Inside light Consumption (W): 9

Plug type: Schuko plug

Power rate (V): 230

Frequency (Hz): 50

Total hood power (W): 289

Number of motors: 1

Motor power (W): 280

Exhaust Capacity - Free Outlet (m³/h): 792

**EU REGULATION NO. 65/2014
&66/2104**

Annual energy consumption AEC kWh/annum (kWh): 52,4

Energy Efficiency Class: A

Fluid Dynamic Efficiency (FDEhood): 33,0

Fluid Dynamic Efficiency class: A

Light Efficiency (Lehood) lux/Watt: 43,3

Lighting Efficiency class: A

Grease Filtering Efficiency class: C
Air flow (Qmin) m3/h: 303
Air flow (Qmax): 597
Air flow (Qboost): 760
Noise (LwA) Min Speed (dB): 54
Noise (LwA) Max Speed (dB): 68
Noise (LwA) boost speed (dB): 73
Off mode Power (Po) W: 0,32
Energy Efficiency Index (EEI): 49,2
Time increase factor: 0,8
Electric power input at best efficiency point (Wbep) W: 157,0
Nominal power of the lighting system (WL) W: 9
Average illumination of the lighting system on the cooking surface (Emiddle) Lux: 390

ACCESSORIES

Anti Return valve: Yes
Outlet reduction: Yes
Optional Charcoal Filter: D4C
Charcoal filter description: CHARCOAL FILTER D4C
Conventional recirculation kit (with tube cover): 40490147

MODELS

Number of filters: 2
Filter description: Stainless Steel filters MMX
Control panel: Illuminated push buttons
Stop delay timer: Yes
Number of speeds: 3+1

PRODUCT INFORMATION SHEET - DELEGATED REGULATION (EU) 65/2014

Supplier name or trademark: TEKA
Model identifier: DSS 785
Annual Energy Consumption: 52,4
Energy Efficiency Class: A
Fluid Dynamic Efficiency: 33,0
Fluid Dynamic Efficiency class: A
Lighting Efficiency: 43,3
Lighting Efficiency class: A
Grease Filtering Efficiency class: C
Air flow (min speed normal use): 303
Air flow (max speed normal use): 597
Air flow (intensive or boost use): 760
Airborne acoustical A-weighted sound power emissions (min speed normal use): 54
Airborne acoustical A-weighted sound power emissions (max speed normal use): 68
Airborne acoustical A-weighted sound power emissions (intensive or boost use): 73
Power consumption in off mode (W): 0,32
Power consumption in standby mode (W): n.a



DSS 785

ENERGY LABEL

