



GFH 55 55cm Built-in Hood with push buttons control panel and 2 aluminum filters



LED

DESCRIPTION

55cm Built-in Hood with push buttons control panel and 2 aluminum filters

LIFE STYLE

Easy

COLOURS

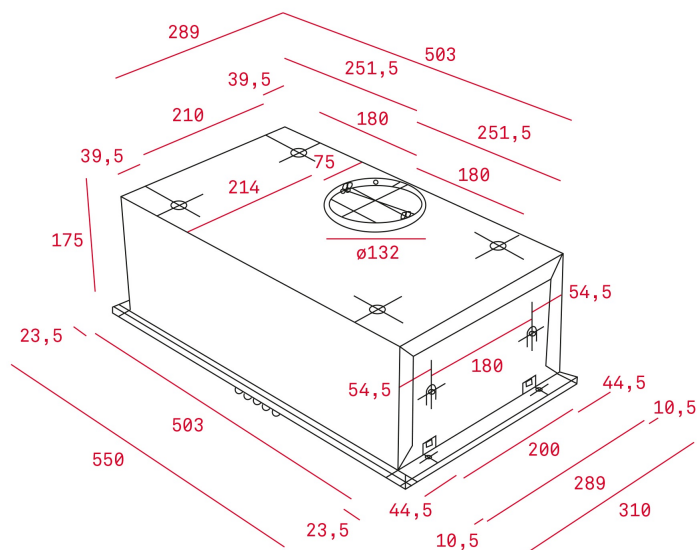


REFERENCE

REF. 40446700
EAN. 8421152036396

FEATURES

Filter group
Push buttons control panel
Operating pilot light
Conventional aspiration
3 speeds
Exhaust capacities:
Free Outlet (m³/h): 367
Max. (m³/h): 329
Min. (m³/h): 223
Noise (LwA) Max Speed 69 dB
Noise (LwA) Min Speed 62 dB
Integrated halogen lamps
2 aluminium filters



DIMENSIONS

Product height (mm): 175
Product width (mm): 550
Product depth (mm): 310
Product length (mm):
Net weight (Kg): 5,34

TECH SPECS

PARTICULAR CHARACTERISTICS

Type of hood: Integrated
Style: Integrated
Certificates: CE, CB, Rohs
Ø Outlet (mm): 120
Type of inner light: LED
Inside light Consumption (W): 2
Plug type: EU
Power rate (V): 220-240
Frequency (Hz): 50/60
Total hood power (W): 134
Number of motors: 1
Motor power (W): 130
Exhaust Capacity - Free Outlet (m3/h): 367

**EU REGULATION NO. 65/2014
&66/2104**

Annual energy consumption AEC kWh/annum (kWh): 67,9
Energy Efficiency Class: D
Fluid Dynamic Efficiency (FDEhood): 10,5
Fluid Dynamic Efficiency class: E
Light Efficiency (Lehood) lux/Watt: 33,8
Lighting Efficiency class: A

Grease Filtering Efficiency class: C
Air flow (Qmin) m3/h: 296
Air flow (Qmax): 337
Noise (LwA) Min Speed (dB): 62
Noise (LwA) Max Speed (dB): 69
Energy Efficiency Index (EEI): 86,3
Time increase factor: 1,6
Electric power input at best efficiency point (Wbep) W: 111,3
Nominal power of the lighting system (WL) W: 4
Average illumination of the lighting system on the cooking surface (Emiddle) Lux: 135

ACCESSORIES

Anti Return valve: Yes
Outlet extension: yes
Optional Charcoal Filter: C3C
Charcoal filter description: CHARCOAL FILTER C3C

MODELS

Number of filters: 2
Filter description: Aluminium
Control panel: Push buttons
Number of speeds: 3

PRODUCT INFORMATION SHEET - DELEGATED REGULATION (EU) 65/2014

Supplier name or trademark: TEKA
Model identifier: GFH 55
Annual Energy Consumption: 67,9
Energy Efficiency Class: D
Fluid Dynamic Efficiency: 10,5
Fluid Dynamic Efficiency class: E
Lighting Efficiency: 33,8
Lighting Efficiency class: A
Grease Filtering Efficiency class: C
Air flow (min speed normal use): 296
Air flow (max speed normal use): 337
Airborne acoustical A-weighted sound power emissions (min speed normal use): 62
Airborne acoustical A-weighted sound power emissions (max speed normal use): 69



GFH 55

ENERGY LABEL

The energy label for the TEKA GFH 55/GFH 73 model is a vertical rectangular sticker. At the top left is the European Union flag. To its right is the word "ENERG" in large blue letters, with "енергия · енергiя" in smaller text below it. Further right are two circular icons: one with "Y" and "JA" and another with "IE" and "IA". Below this header, the brand name "TEKA" and model "GFH 55/GFH 73" are printed. The central part of the label features a scale of energy efficiency classes from A++ (green) to E (red), with a black arrow pointing to class "D". To the right of this scale is a black box containing the letter "D". Below the scale is a white box with the number "68" and "kWh/annum" underneath. At the bottom of the label are four icons in rounded rectangles: a fan (labeled ABCDEFG), a lightbulb (labeled ABCDEFG), water droplets (labeled ABCDEFG), and a speaker (labeled 69dB). The bottom left corner contains the text "65/2014" and the bottom right corner contains "1231085-C".