



**GFG 2** Built-in Hood with push buttons control panel and 1 aluminum filters



LED

**DESCRIPTION**

Built-in Hood with push buttons control panel and 1 aluminum filters

**LIFE STYLE**

Total

**COLOURS**



**REFERENCE**

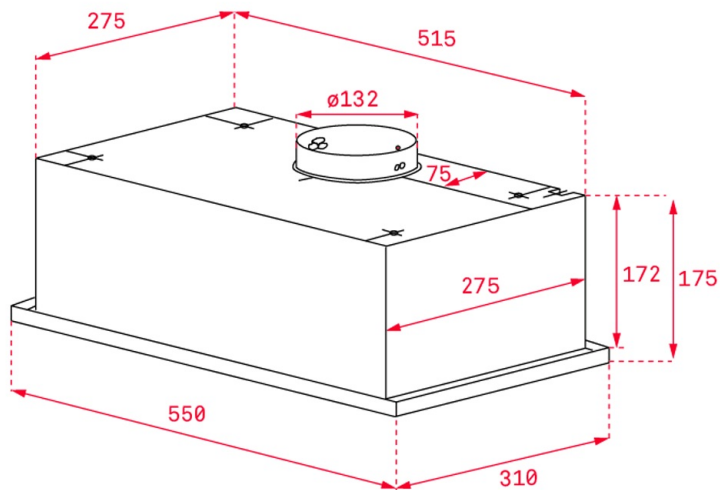
REF. 40446751  
EAN. 8421152121221



## GFG 2

### FEATURES

Filter group  
Push buttons control panel  
Conventional aspiration  
3 speeds  
Exhaust capacities:  
Free Outlet (m<sup>3</sup>/h): 444  
Max. (m<sup>3</sup>/h): 329  
Min. (m<sup>3</sup>/h): 223  
Noise (LwA) Max Speed 63 dB  
Noise (LwA) Min Speed 53 dB  
LED illumination  
2 aluminium filters



## DIMENSIONS

**Product height (mm):** 178  
**Product width (mm):** 550  
**Product depth (mm):** 310  
**Product length (mm):**  
**Net weight (Kg):** 7,6

## TECH SPECS

### PARTICULAR CHARACTERISTICS

**Type of hood:** Integrated  
**Style:** Integrated  
**Certificates:** CE; CB; Rohs  
**Ø Outlet (mm):** 120  
**Type of inner light:** LED  
**Inside light Consumption (W):** 5  
**Plug type:** European plug  
**Power rate (V):** 220240  
**Frequency (Hz):** 5060  
**Total hood power (W):** 135  
**Number of motors:** 1  
**Motor power (W):** 130  
**Exhaust Capacity - Free Outlet (m3/h):** 444

**EU REGULATION NO. 65/2014  
&66/2104**

**Annual energy consumption AEC kWh/annum (kWh):** 68,8  
**Energy Efficiency Class:** D  
**Fluid Dynamic Efficiency (FDEhood):** 10,7  
**Fluid Dynamic Efficiency class:** E  
**Light Efficiency (Lehood) lux/Watt:** 16,4  
**Lighting Efficiency class:** C

**Grease Filtering Efficiency class:** B  
**Air flow (Qmin) m<sup>3</sup>/h:** 240  
**Air flow (Qmax):** 341  
**Air flow (Qboost):** 0  
**Noise (LwA) Min Speed (dB):** 53  
**Noise (LwA) Max Speed (dB):** 63  
**Noise (LwA) boost speed (dB):** 0  
**Off mode Power (Po) W:** 0,00  
**Standby Power (Ps) W:** 0,00  
**Energy Efficiency Index (EEI):** 86,6  
**Time increase factor:** 1,6  
**Electric power input at best efficiency point (Wbep) W:** 111,5  
**Nominal power of the lighting system (WL) W:** 5  
**Average illumination of the lighting system on the cooking surface (Emiddle) Lux:** 82

## ACCESSORIES

**Anti Return valve:** Yes  
**Outlet extension:** Yes  
**Optional Charcoal Filter:** C3C  
**Charcoal filter description:** CHARCOAL FILTER C3C (Optional)

## MODELS

**Number of filters:** 1  
**Filter description:** Aluminum  
**Control panel:** Push buttons  
**Number of speeds:** 3

## PRODUCT INFORMATION SHEET - DELEGATED REGULATION (EU) 65/2014

**Supplier name or trademark:** TEKA  
**Model identifier:** GFG 2  
**Annual Energy Consumption:** 68,8  
**Energy Efficiency Class:** D  
**Fluid Dynamic Efficiency:** 10,7  
**Fluid Dynamic Efficiency class:** E  
**Lighting Efficiency:** 16,4  
**Lighting Efficiency class:** C  
**Grease Filtering Efficiency class:** B  
**Air flow (min speed normal use):** 240  
**Air flow (max speed normal use):** 341  
**Air flow (intensive or boost use):** 0  
**Airborne acoustical A-weighted sound power emissions (min speed normal use):** 53  
**Airborne acoustical A-weighted sound power emissions (max speed normal use):** 63  
**Power consumption in off mode (W):** 0,00  
**Power consumption in standby mode (W):** 0,00



GFG 2

ENERGY LABEL

