



GFG 2 Built-in Hood with push buttons control panel and 1 aluminum filters



LED

DESCRIPTION

Built-in Hood with push buttons control panel and 1 aluminum filters

LIFE STYLE

Total

COLOURS



REFERENCE

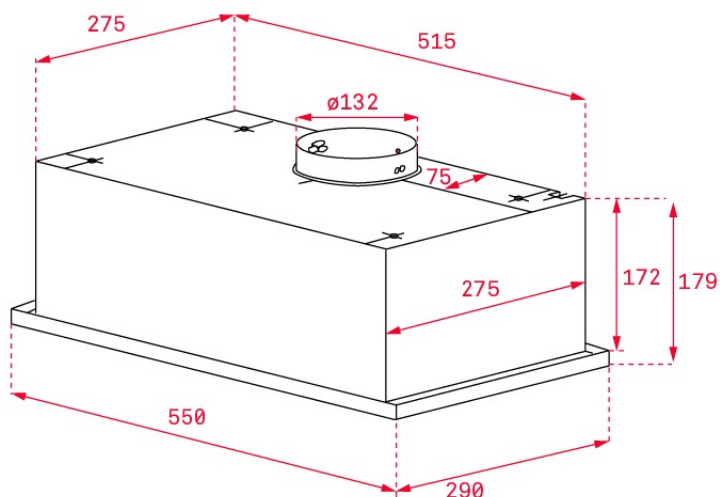
REF. 40446753
EAN. 8421152146040



GFG 2

FEATURES

Filter group
Push buttons control panel
3 speeds
Exhaust capacities:
Free Outlet, m³/h: 444
Max., m³/h: 329
Min., m³/h: 223
Noise (LwA) Min Speed 58 dB
Noise (LwA) Max Speed, dB: 63
Noise (LwA) Min Speed, dB: 53
1 LED bar
1 stainless Steel filters MMX



DIMENSIONS

Product height (mm): 178
Product width (mm): 550
Product depth (mm): 290
Product length (mm):
Net weight (Kg): 5,16

TECH SPECS

PARTICULAR CHARACTERISTICS

Type of hood: Integrated
Style: Integrated
Certificates: CE; CB; Rohs
Ø Outlet (mm): 120
Type of inner light: LED
Inside light Consumption (W): 7
Plug type: European plug
Power rate (V): 220240
Frequency (Hz): 5060
Total hood power (W): 137
Number of motors: 1
Motor power (W): 175
Exhaust Capacity - Free Outlet (m³/h): 444

**EU REGULATION NO. 65/2014
&66/2104**

Annual energy consumption AEC kWh/annum (kWh): 70,2
Energy Efficiency Class: D
Fluid Dynamic Efficiency (FDEhood): 10,7
Fluid Dynamic Efficiency class: E
Light Efficiency (Lehood) lux/Watt: 51,9
Lighting Efficiency class: A

Grease Filtering Efficiency class: B
Air flow (Qmin) m3/h: 240
Air flow (Qmax): 341
Air flow (Qboost): 0
Noise (LwA) Min Speed (dB): 53
Noise (LwA) Max Speed (dB): 63
Noise (LwA) boost speed (dB): 0
Off mode Power (Po) W: 0,00
Standby Power (Ps) W: 0,00
Energy Efficiency Index (EEI): 87,2
Time increase factor: 1,6
Electric power input at best efficiency point (Wbep) W: 111,5
Nominal power of the lighting system (WL) W: 7
Average illumination of the lighting system on the cooking surface (Emiddle) Lux: 363

ACCESSORIES

Anti Return valve: Yes
Outlet extension: Yes
Optional Charcoal Filter: C3C
Charcoal filter description: CHARCOAL FILTER C3C

MODELS

Number of filters: 1
Filter description: Stainless Steel filters MMX
Control panel: Push buttons
Number of speeds: 3

PRODUCT INFORMATION SHEET - DELEGATED REGULATION (EU) 65/2014

Supplier name or trademark: TEKA
Model identifier: GFG 2
Annual Energy Consumption: 70,2
Energy Efficiency Class: D
Fluid Dynamic Efficiency: 10,7
Fluid Dynamic Efficiency class: E
Lighting Efficiency: 51,9
Lighting Efficiency class: A
Grease Filtering Efficiency class: B
Air flow (min speed normal use): 240
Air flow (max speed normal use): 341
Air flow (intensive or boost use): 0
Airborne acoustical A-weighted sound power emissions (min speed normal use): 53
Airborne acoustical A-weighted sound power emissions (max speed normal use): 63
Power consumption in off mode (W): 0,00
Power consumption in standby mode (W): 0,00



GFG 2

ENERGY LABEL

