



**NC 985** 90cm Ultraslim Glass Wing Decorative with ECOPOWER motor



LED



Stop Delay  
Timer

**DESCRIPTION**

90cm Ultraslim Glass Wing Decorative with ECOPOWER motor

**LIFE STYLE**

Total

**COLOURS**

**REFERENCE**

REF. 40455382  
EAN. 8421152130537



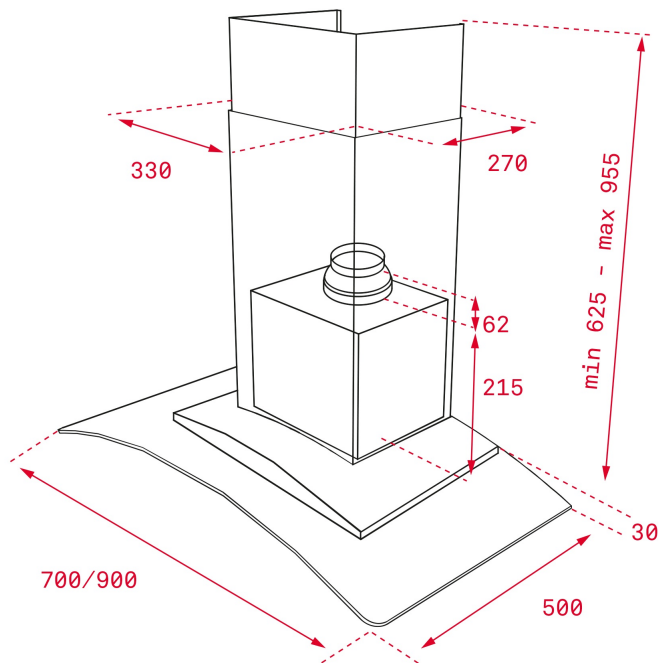
**NC 985**

**FEATURES**

Ultraslim glass wing decorative hood  
Eco power  
Backlit electronic panel with white display  
Conventional aspiration  
3 speeds + 1 intensive  
Exhaust capacities:  
Free Outlet (m<sup>3</sup>/h): 895  
Max. (m<sup>3</sup>/h): 807  
Min. (m<sup>3</sup>/h): 315  
Noise (LwA) Max Speed 68 dB  
Noise (LwA) Min Speed 56 dB  
LED illumination  
1 stainless steel-aluminium filter  
Stop delay timer  
Reinforced glass upper structure

## DIMENSIONS

**Product height (mm):** 674-1004  
**Product width (mm):** 900  
**Product depth (mm):** 500  
**Product length (mm):**  
**Net weight (Kg):** 15,2



## TECH SPECS

### PARTICULAR CHARACTERISTICS

**Type of hood:** Glass Wing  
**Style:** Decoratives  
**Certificates:** CE; CB; Rohs  
**Ø Outlet (mm):** 150  
**Type of inner light:** LED  
**Inside light Consumption (W):** 3  
**Plug type:** European plug  
**Power rate (V):** 220240  
**Frequency (Hz):** 50  
**Total hood power (W):** 286  
**Number of motors:** 1  
**Motor power (W):** 280  
**Exhaust Capacity - Free Outlet (m3/h):** 895

**EU REGULATION NO. 65/2014  
&66/2104**

**Annual energy consumption AEC kWh/annum (kWh):** 56,7  
**Energy Efficiency Class:** A  
**Fluid Dynamic Efficiency (FDEhood):** 30,5  
**Fluid Dynamic Efficiency class:** A  
**Light Efficiency (Lehood) lux/Watt:** 65,2  
**Lighting Efficiency class:** A

**Grease Filtering Efficiency class:** C  
**Air flow (Qmin) m3/h:** 315  
**Air flow (Qmax):** 631  
**Air flow (Qboost):** 807  
**Noise (LwA) Min Speed (dB):** 56  
**Noise (LwA) Max Speed (dB):** 68  
**Noise (LwA) boost speed (dB):** 72  
**Off mode Power (Po) W:** 0,00  
**Standby Power (Ps) W:** 0,56  
**Energy Efficiency Index (EEI):** 53,3  
**Time increase factor:** 0,9  
**Electric power input at best efficiency point (Wbep) W:** 159,4  
**Nominal power of the lighting system (WL) W:** 6  
**Average illumination of the lighting system on the cooking surface (Emiddle) Lux:** 391

## ACCESSORIES

**Anti Return valve:** Yes  
**Outlet reduction:** Yes  
**Optional Charcoal Filter:** D4C  
**Charcoal filter description:** CHARCOAL FILTER D4C  
**Conventional recirculation kit (with tube cover):** 40490147

## MODELS

**Number of filters:** 1  
**Filter description:** Stainless Steel filters  
**Control panel:** Backlit electronic control with white display  
**Stop delay timer:** Yes  
**Filter saturation indicator:** Yes  
**Number of speeds:** 3+1

## PRODUCT INFORMATION SHEET - DELEGATED REGULATION (EU) 65/2014

**Supplier name or trademark:** TEKA  
**Model identifier:** NC 985  
**Annual Energy Consumption:** 56,7  
**Energy Efficiency Class:** A  
**Fluid Dynamic Efficiency:** 30,5  
**Fluid Dynamic Efficiency class:** A  
**Lighting Efficiency:** 65,2  
**Lighting Efficiency class:** A  
**Grease Filtering Efficiency class:** C  
**Air flow (min speed normal use):** 315  
**Air flow (max speed normal use):** 631  
**Air flow (intensive or boost use):** 807  
**Airborne acoustical A-weighted sound power emissions (min speed normal use):** 56  
**Airborne acoustical A-weighted sound power emissions (max speed normal use):** 68  
**Airborne acoustical A-weighted sound power emissions (intensive or boost use):** 72  
**Power consumption in off mode (W):** 0,00  
**Power consumption in standby mode (W):** 0,56



NC 985

ENERGY LABEL

