



**NR1 89** 90cm Built-in Hood with two motors



**DESCRIPTION**

90cm Built-in Hood with two motors

**LIFE STYLE**

Easy

**COLOURS**

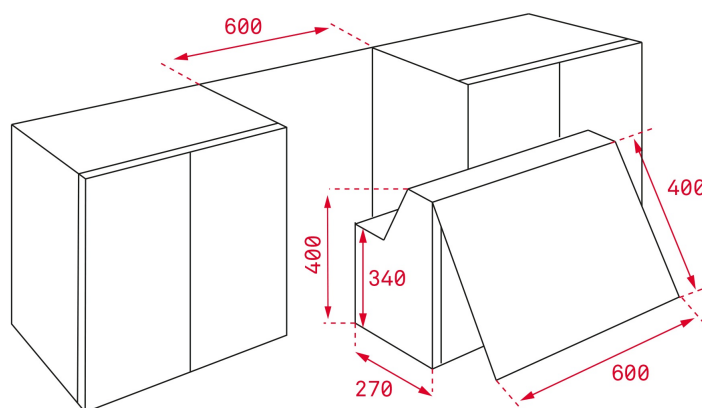


**REFERENCE**

REF. 40457320  
EAN. 8421152064795

**FEATURES**

Built in decorative hood  
Slider control panel  
Two motors  
Operating Pilot Light  
Conventional aspiration  
3 speeds  
Exhaust capacities:  
Free Outlet (m<sup>3</sup>/h): 530  
Max. (m<sup>3</sup>/h): 342  
Min. (m<sup>3</sup>/h): 259  
Noise (LwA) Max Speed 70 dB  
Noise (LwA) Min Speed 68 dB  
Incandescent Lamps  
1 metal filter



## DIMENSIONS

**Product height (mm):** 400  
**Product width (mm):** 600  
**Product depth (mm):** 270  
**Product length (mm):**  
**Net weight (Kg):** 9,35

## TECH SPECS

### PARTICULAR CHARACTERISTICS

**Type of hood:** Integrated  
**Style:** Integrated  
**Certificates:** CE; CB; Rohs  
**Ø Outlet (mm):** 120  
**Type of inner light:** Incandescent  
**Inside light Consumption (W):** 40  
**Plug type:** European plug  
**Power rate (V):** 230 V  
**Frequency (Hz):** 50 Hz  
**Total hood power (W):** 330  
**Number of motors:** 2  
**Motor power (W):** 250  
**Exhaust Capacity - Free Outlet (m3/h):** 530

**EU REGULATION NO. 65/2014  
&66/2104**

**Annual energy consumption AEC kWh/annum (kWh):** 178,8  
**Energy Efficiency Class:** F  
**Fluid Dynamic Efficiency (FDEhood):** 4,9  
**Fluid Dynamic Efficiency class:** F  
**Light Efficiency (Lehood) lux/Watt:** 1,0  
**Lighting Efficiency class:** G

**Grease Filtering Efficiency class:** F  
**Air flow (Qmin) m3/h:** 259  
**Air flow (Qmax):** 342  
**Noise (LwA) Min Speed (dB):** 68  
**Noise (LwA) Max Speed (dB):** 70  
**Off mode Power (Po) W:** 0,00  
**Energy Efficiency Index (EEI):** 112,6  
**Time increase factor:** 1,8  
**Electric power input at best efficiency point (Wbep) W:** 180,8  
**Nominal power of the lighting system (WL) W:** 80  
**Average illumination of the lighting system on the cooking surface (Emiddle) Lux:** 80

## **ACCESSORIES**

**Optional Charcoal Filter:** C5C  
**Charcoal filter description:** CHARCOAL FILTER C5C (NR1 89)

## **MODELS**

**Number of filters:** 1  
**Filter description:** Metal Filter  
**Control panel:** Slider  
**Number of speeds:** 3

## **PRODUCT INFORMATION SHEET - DELEGATED REGULATION (EU) 65/2014**

**Supplier name or trademark:** TEKA  
**Model identifier:** NR1 89  
**Annual Energy Consumption:** 178,8  
**Energy Efficiency Class:** F  
**Fluid Dynamic Efficiency:** 4,9  
**Fluid Dynamic Efficiency class:** F  
**Lighting Efficiency:** 1,0  
**Lighting Efficiency class:** G  
**Grease Filtering Efficiency class:** F  
**Air flow (min speed normal use):** 259  
**Air flow (max speed normal use):** 342  
**Airborne acoustical A-weighted sound power emissions (min speed normal use):** 68  
**Airborne acoustical A-weighted sound power emissions (max speed normal use):** 70  
**Power consumption in off mode (W):** 0,00



NR1 89

ENERGY LABEL

