



C 9420 90cm Classical integrated Hood with Finger Print Proof front panel



LED

DESCRIPTION

90cm Classical integrated Hood with Finger Print Proof front panel

LIFE STYLE

Easy

COLOURS

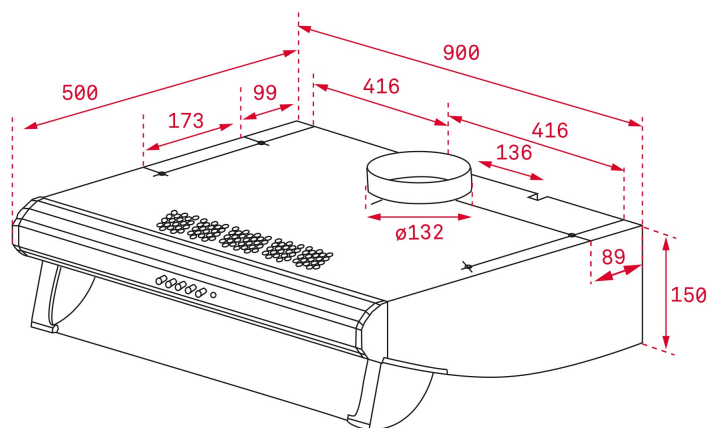


REFERENCE

REF. 40466250
EAN. 8421152146125

FEATURES

Classic hood
Push buttons control panel (SS models)
Operating pilot light
3 speeds
Exhaust capacities:
Free Outlet, m³/h: 422
Max., m³/h: 375
Min., m³/h: 141
Noise (LwA) Max Speed, dB: 72
Noise (LwA) Min Speed, dB: 60
2 Integrated LED lamps
3 aluminium filters
Finger Print Proof Front Panel (SS)



DIMENSIONS

Product height (mm): 150
Product width (mm): 900
Product depth (mm): 500
Product length (mm):
Net weight (Kg): 9,93

TECH SPECS

PARTICULAR CHARACTERISTICS

Type of hood: Classic
Style: Integrated
Certificates: CE; CB; Rohs
Ø Outlet (mm): 120
Type of inner light: LED
Inside light Consumption (W): 6
Plug type: European plug
Power rate (V): 220240
Frequency (Hz): 5060
Total hood power (W): 192
Number of motors: 2
Motor power (W): 180
Exhaust Capacity - Free Outlet (m3/h): 422

**EU REGULATION NO. 65/2014
&66/2104**

Annual energy consumption AEC kWh/annum (kWh): 103,1
Energy Efficiency Class: D
Fluid Dynamic Efficiency (FDEhood): 8,9
Fluid Dynamic Efficiency class: E
Light Efficiency (Lehood) lux/Watt: 4,8
Lighting Efficiency class: F

Grease Filtering Efficiency class: D
Air flow (Qmin) m3/h: 187
Air flow (Qmax): 353
Noise (LwA) Min Speed (dB): 60
Noise (LwA) Max Speed (dB): 72
Energy Efficiency Index (EEI): 97,7
Time increase factor: 1,7
Electric power input at best efficiency point (Wbep) W: 152,0
Nominal power of the lighting system (WL) W: 12
Average illumination of the lighting system on the cooking surface (Emiddle) Lux: 58

ACCESSORIES

Anti Return valve: Yes
Outlet extension: Yes
Optional Charcoal Filter: C1R
Charcoal filter description: CHARCOAL FILTER C1R

MODELS

Number of filters: 3
Filter description: Aluminum
Control panel: Push buttons
Number of speeds: 3
Fingerprint proof front panel: Yes

PRODUCT INFORMATION SHEET - DELEGATED REGULATION (EU) 65/2014

Supplier name or trademark: TEKA
Model identifier: C 9420
Annual Energy Consumption: 103,1
Energy Efficiency Class: D
Fluid Dynamic Efficiency: 8,9
Fluid Dynamic Efficiency class: E
Lighting Efficiency: 4,8
Lighting Efficiency class: F
Grease Filtering Efficiency class: D
Air flow (min speed normal use): 187
Air flow (max speed normal use): 353
Air flow (intensive or boost use): n.a
Airborne acoustical A-weighted sound power emissions (min speed normal use): 60
Airborne acoustical A-weighted sound power emissions (max speed normal use): 72
Power consumption in off mode (W): n.a
Power consumption in standby mode (W): n.a



C 9420

ENERGY LABEL

